

**Slide Set GS 2G-PL ss**

Group: 1736

**Application**

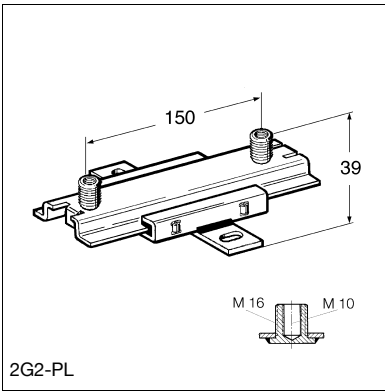
Slide Set for single and double mounting of mechanical equipment, to be used on Sikla Channels, brick or concrete walls and on bearers. To be used preferably in combination with Sikla Pipe Clamps Stabil D-2G ss. Various connection options with these pipe clamps ranging between M10 and R 1" using adapters (see Adapters AD f/f ss).  
Sound absorption by means of glass fibre reinforced PA.

**Technical Data**

Permissible load for ceiling mounting: 0.6 kN  
 Permissible load for floor mounting: 1.2 kN  
 Lever arm  $L_{max}$  : 150 mm  
 Max. sliding distance Type 2G-PL: 85 mm  
 Max. sliding distance Type 2G2-PL: 140 mm  
 Temperature range: 130°C (permanent exposure)  
 Static friction coefficient  $\mu_0$  : 0.18  
 Sliding friction coefficient  $\mu$ : 0.14

**Material:**

Metal components and Slide rails: Stainless steel A4



| Type   | W [kg] | Quantity [pack] | Part number |
|--------|--------|-----------------|-------------|
| 2G-PL  | 0.52   | 25              | 170170      |
| 2G2-PL | 0.63   | 25              | 170198      |

