

Slide Set GS 2G ss

Group: 1736

Application

Slide Set for single and double mounting of mechanical equipment. To be used preferably in combination with Sikla Pipe Clamps Stabil D-2G ss. Various connection options with these pipe clamps ranging between M10 and R1" using adapters (see Adapters AD f/f ss)

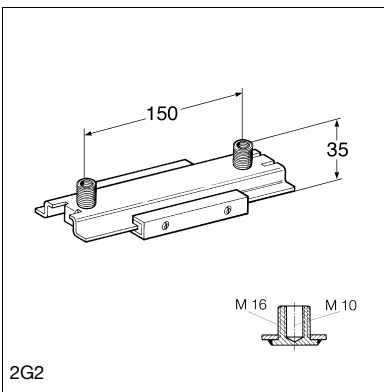
Sound absorption by means of slide rails of glass fibre reinforced PA.

Technical Data

Permissible load for ceiling mounting:	0.6 kN
Permissible load for floor mounting:	1.2 kN
Lever arm L_{max} :	150 mm
Max. sliding distance Type 2G:	85 mm
Max. sliding distance Type 2G2:	140 mm
Temperature range:	130°C (permanent exposure)
Static friction coefficient μ_0 :	0.18
Sliding friction coefficient μ :	0.14

Material:

Metal components and Slide rails: Stainless steel A4



Type	W [kg]	Quantity [pack]	Part number
2G	0.37	25	170161
2G2	0.49	25	170189

