

### Slide Set GS H3G ss

Group: 1736

#### Application

Heavy-duty Slide Set for plant construction.

To be used preferably in combination with Sikla Pipe Clamps Stabil D-3G ss. Various connection options of the pipe clamps depending on the respective load: M12, M16 or with 1/2" adapters using the external thread (see Adapter AD f/f ss).

Especially suitable for ceiling and floor mounting solutions and as a guide for rising pipes. For wall mounting, we recommend the use of the Slide Set on Sikla Support Brackets. When mounting the Slide Set directly to a wall, the reduced permissible loads of the anchors are to be taken into consideration. Sound absorption by means of slide rails with glass fibre reinforced polyamide.

#### Installation

For pipes of NB 100 or larger having to be spaced at a distance from the Slide Set, or under conditions of reversed bending stress, the 3G triple thread nuts are to be secured by screwing on a 1/2" stainless steel Locking Nut.

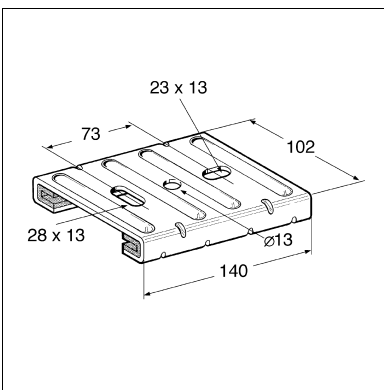
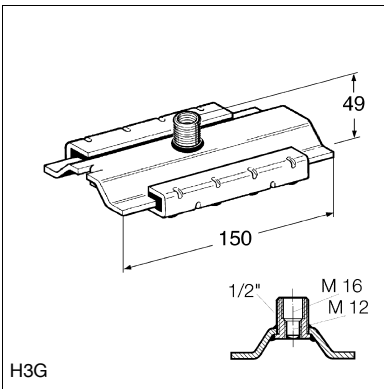
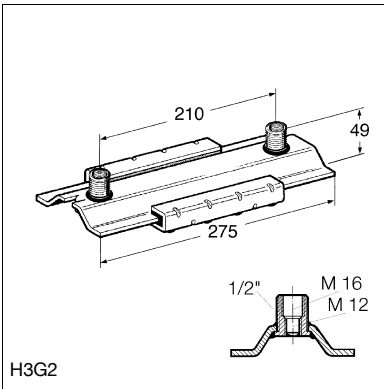
#### Technical Data

Permissible loads for ceiling mounting:	5.0 kN
Permissible load for floor mounting:	9.0 kN
Permissible bending moment for wall mounting* for H3G2:	350 Nm
Lever arm $L_{max}$ :	250 mm
Max. sliding distance:	
H3G:	100 mm
H3G2:	135 mm
Temperature range:	130°C (permanent exposure)
Static friction coefficient $\mu_0$ :	0.18
Sliding friction coefficient $\mu$ :	0.14

Material:

Metal components and slide rails: Stainless steel A4

\* Permissible bending moment of the connecting element (threaded rod or threaded tube) may restrict the application!



Type	W [kg]	Quantity [pack]	Part number
H3G2	1.43	10	170125
H3G	1.10	10	170143