

### Cantilever Bracket AK ss

Group: 1754

#### Application

Ready-to-use brackets mainly for mounting pipes to walls.

#### Scope of delivery

Wall plate and channel welded. Supplied with End Cap.

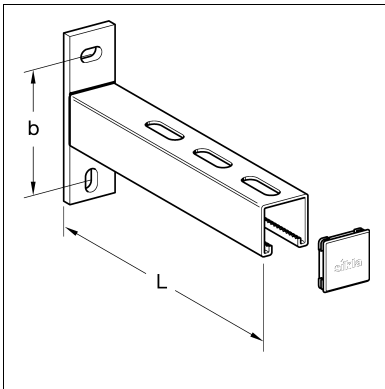
#### Installation

When used in combination with slide elements, a tie rod is absolutely essential for absorbing the forces running along the centre line of the pipe.

#### Technical Data

For load capacities, please see the charts of Cantilever Bracket 41/41 (galvanised)

Material: Stainless steel A4



Type	L [mm]	Wall plate [mm]	b [mm]	Dimensions of elongated hole [mm]	W [kg]	Quantity [pack]	Part number
41/41 - 200	196	132 x 40 x 8	100	13 x 18	0.70	10	<b>115520</b>
41/41 - 260	258	132 x 40 x 8	100	13 x 18	0.79	10	<b>115539</b>
41/41 - 320	321	132 x 40 x 8	100	13 x 18	0.92	10	<b>115548</b>
41/41 - 445	446	132 x 40 x 8	100	13 x 18	1.19	10	<b>115557</b>

