

U Bolt RUB ss

Group: 1710

Application

For pipeline systems in industrial and residential buildings and Sprinkler installations meeting the VdS and FM standards.

For horizontal and vertical pipelines, the U-Bolts are applied as Fixed Points and as Guiding Supports.

Scope of delivery

Four hexagon nuts included in loose form.

Installation

When used as Guided Support, nuts have to be arranged and fixed on both sides, at the top and at the bottom of the profile. Thereby the pipe should remain flexible. When used as Fixed Point the admissible loads of the connecting elements shouldn't exceed the bending loads of the U-bolt.

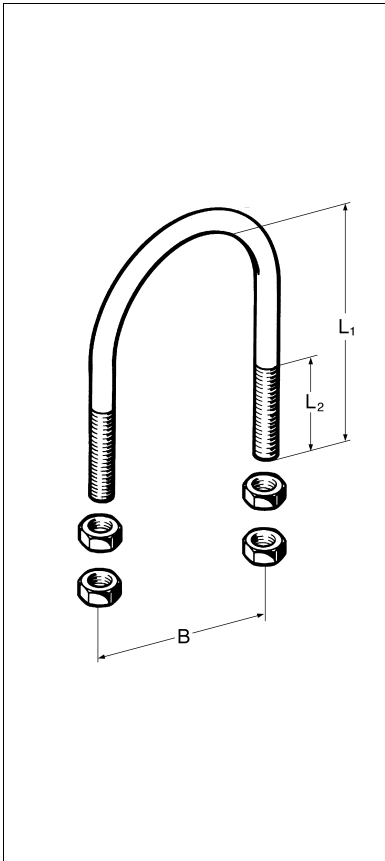
Technical Data

Material: Stainless steel A4

Specification: Similar to DIN 3570 standard

Approvals / Conformity

Size NB 8" with M12 thread obtained a separate VdS Approval: No. G4810047



Type	NB	B [mm]	L ₁ [mm]	L ₂ [mm]	Thread	W [kg]	Quantity [pack]	Part number
21.3	1/2"	30	45	30	M 8	0.05	50	102719
26.9	3/4"	35	60	40	M 8	0.07	50	102728
33.7	1"	42	67	40	M 8	0.07	50	102737
42.4	1 1/4"	51	76	40	M 8	0.08	50	102746
48.3	1 1/2"	57	82	40	M 8	0.08	50	102889
60.3	2"	71	95	45	M 10	0.16	50	102898
76.1	2 1/2"	87	111	45	M 10	0.18	50	102904
88.9	3"	100	123	45	M 10	0.20	50	102913
114.3	4"	126	157	55	M 12	0.35	25	102694
108		121	151	55	M 12	0.34	50	102922
139.7	5"	152	180	55	M 12	0.39	25	102931
133		146	172	55	M 12	0.39	25	102685
159		172	197	55	M 12	0.42	25	102940
168.3	6"	180	207	55	M 12	0.44	10	102700
219.1	8"	233	267	55	M 12	0.55	10	102959
274.0	10"	302	314	70	M 20	1.88	10	102968