

Stabil D-2G/-3G ss w/Lining

Group: 1741

Application

For the installation of pipes required for all M&E services in industrial, residential and public buildings.

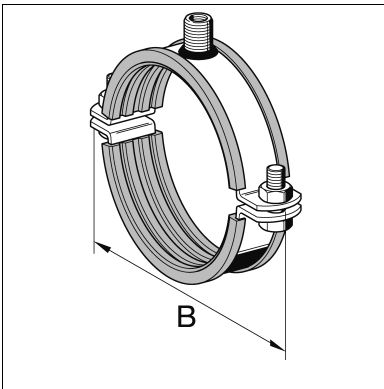
Particularly suitable for soundproof pipe installation according to DIN 4109.

Scope of delivery

Two-piece pipe clamp with clamping bolts and nuts (supplied loose).

Installation

Suitable for single-point mounting either directly by means of a threaded rod or by connecting to a Sikla Threaded Tube up to 1" using an adapter.



Technical Data

Size range [mm]	Max. adm. load (tension)	Tightening torque [Nm]
18 - 63	1,5 kN	3
74 - 114	2,0 kN	5
133 - 168	4,0 kN	10
198 - 219	6,0 kN	20

The recommended load is calculated using specific statistical methods relating to break load and is designed to restrict deflection to 1.5 mm or 2 % of the maximum applicable clamping diameter.

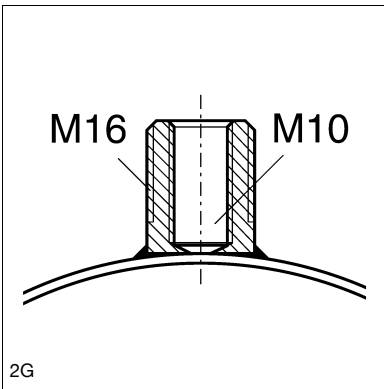
Material:

Pipe clamp:

Stainless steel A4

Sound absorption lining:

SBR/EPDM, black (see chapter "Sound Absorption Products")

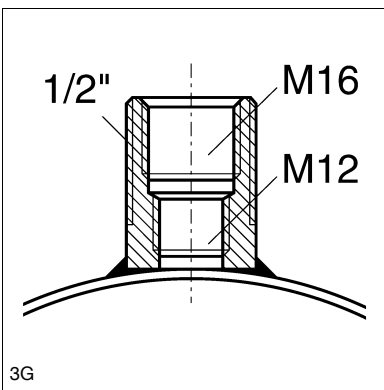


2G

Approvals / Conformity



This product has been awarded the RAL quality mark "pipe supports" and is subject to continuous external monitoring according to RAL GZ-655.



3G

Size range [mm]	Thread connection	Material W x th [mm]	B [mm]	W [kg]	Quantity [pack]	Part number
18 - 20	2G	25 x 3	77	0.16	50	172703
21 - 24	2G	25 x 3	84	0.18	50	172712
25 - 29	2G	25 x 3	87	0.19	50	172721
31 - 35	2G	25 x 3	95	0.20	50	172730
38 - 42	2G	25 x 3	102	0.22	50	172739
46 - 50	2G	25 x 3	109	0.24	50	172748
51 - 55	2G	25 x 3	115	0.25	50	172757
58 - 63	2G	25 x 3	123	0.27	50	172766
74 - 78	2G	30 x 3	147	0.39	25	172775
86 - 90	3G	30 x 3	160	0.46	25	172784
100 - 106	3G	30 x 3	176	0.49	25	173162
108 - 114	3G	30 x 3	184	0.49	25	172793
133 - 140	3G	40 x 4	229	1.03	10	172802
158 - 168	3G	40 x 4	257	1.14	10	172811
198 - 207	3G	40 x 4	304	1.50	10	172820
210 - 219	3G	40 x 4	316	1.54	10	172829