

Stabil D-2G/-3G ss

Group: 1740

Application

For the installation of pipes required for all M&E services in industrial, residential and public buildings.

Scope of delivery

Two-piece pipe clamp with clamping bolts and nuts (supplied loose).

Installation

Suitable for single-point mounting either directly by means of a threaded rod or by connecting to a Sikla Threaded Tube up to 1" using an adapter.

Technical Data

Size range [mm]	Max. adm. load (tension)	Tightening torque [Nm]
18 - 71	5.0 kN	3
74 - 78	5.0 kN	5
81 - 122	6.0 kN	5
133 - 207	8.0 kN	10
210 - 231	11.0 kN	20

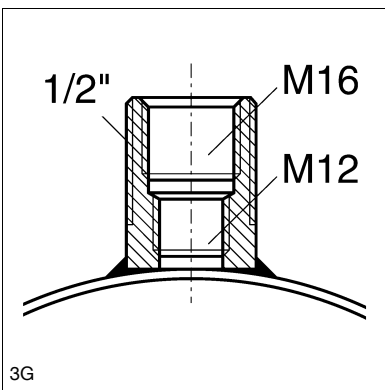
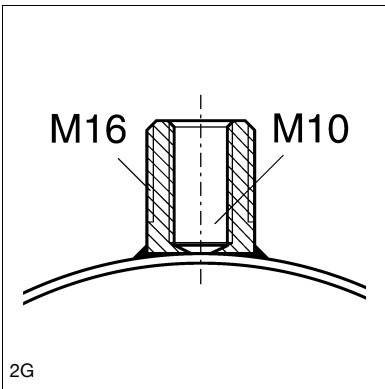
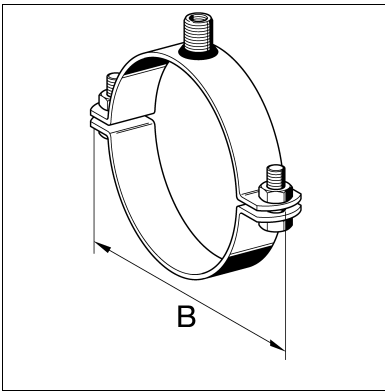
The recommended load is calculated using specific statistical methods relating to break load and is designed to restrict deflection to 1.5 mm or 2 % of the maximum applicable clamping diameter.

Material: Stainless steel A4

Approvals / Conformity



This product has been awarded the RAL quality mark "pipe supports" and is subject to continuous external monitoring according to RAL GZ-655.



Size range [mm]	Thread connection	Material W x th [mm]	B [mm]	W [kg]	Quantity [pack]	Part number
18 - 22	2G	25 x 3	70	0.14	50	172568
24 - 28	2G	25 x 3	77	0.15	50	172577
30 - 34	2G	25 x 3	84	0.16	50	172586
35 - 37	2G	25 x 3	87	0.17	50	172595
40 - 44	2G	25 x 3	95	0.17	50	172604
47 - 51	2G	25 x 3	102	0.20	50	172613
54 - 58	2G	25 x 3	109	0.21	50	172622
59 - 63	2G	25 x 3	115	0.21	50	172631
67 - 71	2G	25 x 3	123	0.22	50	172856
74 - 78	2G	30 x 3	140	0.33	25	172640
81 - 85	2G	30 x 3	147	0.34	25	172865
86 - 90	3G	30 x 3	152	0.36	25	172649
94 - 98	3G	30 x 3	160	0.40	25	172874
102 - 108	3G	30 x 3	170	0.41	25	173153
108 - 114	3G	30 x 3	176	0.42	25	172658
116 - 122	3G	30 x 3	184	0.43	25	172883
133 - 140	3G	40 x 4	217	0.82	10	172667
145 - 152	3G	40 x 4	229	0.87	10	172892
159 - 169	3G	40 x 4	245	0.90	10	172676
170 - 180	3G	40 x 4	257	0.95	10	172901
198 - 207	3G	40 x 4	284	1.08	10	172685
210 - 219	3G	40 x 4	304	1.26	10	172694
222 - 231	3G	40 x 4	316	1.33	10	172910