

### Stabil D ss

Group: 1739

#### Application

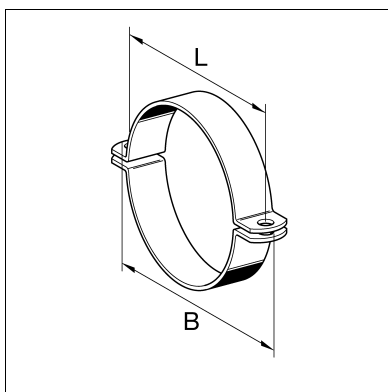
For the installation of pipes required for all M&E services in industrial, residential and public buildings.

#### Scope of delivery

Two-piece pipe clamp without clamping bolts and nuts.

#### Installation

Particularly suitable for two-point mountings.



#### Technical Data

Size [mm]	Max. perm. working load (tension)
18 - 71	5.0 kN
74 - 231	6.0 kN

Material: Stainless steel A4

Size range [mm]	Material W x th [mm]	Recommended clamping bolts	B [mm]	L [mm]	W [kg]	Quantity [pack]	Part number
18 - 22	25 x 3	M8 x 25	70	50	0.08	50	<b>172433</b>
24 - 28	25 x 3	M8 x 25	77	57	0.09	50	<b>172442</b>
30 - 34	25 x 3	M8 x 25	84	64	0.10	50	<b>172451</b>
35 - 37	25 x 3	M8 x 25	87	67	0.11	50	<b>172460</b>
40 - 44	25 x 3	M8 x 25	95	75	0.12	50	<b>172469</b>
47 - 51	25 x 3	M8 x 25	102	82	0.13	50	<b>172478</b>
54 - 58	25 x 3	M8 x 25	109	89	0.14	50	<b>172487</b>
59 - 63	25 x 3	M8 x 25	115	95	0.15	50	<b>172496</b>
67 - 71	25 x 3	M8 x 25	123	103	0.16	50	<b>173081</b>
74 - 78	30 x 3	M10 x 30	140	116	0.23	25	<b>172505</b>
81 - 85	30 x 3	M10 x 30	147	123	0.25	25	<b>173090</b>
86 - 90	30 x 3	M10 x 30	152	128	0.26	25	<b>172514</b>
94 - 98	30 x 3	M10 x 30	160	136	0.28	25	<b>173099</b>
102 - 108	30 x 3	M10 x 30	170	146	0.30	25	<b>173144</b>
108 - 114	30 x 3	M10 x 30	176	152	0.30	25	<b>172523</b>
116 - 122	30 x 3	M10 x 30	184	160	0.31	25	<b>173108</b>
133 - 140	40 x 4	M12 x 35	217	184	0.68	10	<b>172532</b>
145 - 152	40 x 4	M12 x 35	229	196	0.71	10	<b>173117</b>
159 - 169	40 x 4	M12 x 35	245	212	0.75	10	<b>172541</b>
170 - 180	40 x 4	M12 x 35	257	224	0.83	10	<b>173126</b>
198 - 207	40 x 4	M12 x 35	284	251	0.94	10	<b>172550</b>
210 - 219	40 x 4	M16 x 50	304	269	0.99	10	<b>172559</b>
222 - 231	40 x 4	M16 x 50	316	281	1.04	10	<b>173135</b>