

Mounting Kit VP SDE 2

Group: 1380

Application

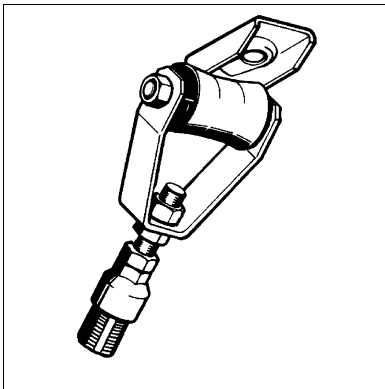
Pre-assembled supports kits for Fixed Points. With the beveled Universal Joint UG FP, the sloped supports can be mounted directly to the Fixed Point Clamp.

Scope of delivery

The Universal Joint UG FP and Sound Absorber SDE 2-UG 16 are already pre-assembled as Mounting Kits, containing Threaded Stud, Hexagon Nut and Rod Coupling. By this, mistakes during assembly are being eliminated. Anchors to be ordered separately.

Installation

By either using Threaded Tubes or Threaded Studs the Universal Joint UG FP and Sound Absorber SDE 2-UG 16 are then connected to make up a support . The four supports can then be directly mounted with the UG FP to the Fixed Point Clamp.



Technical Data

Material: Steel, all parts galvanised

Type	W [kg]	Quantity [pack]	Part number
SDE 2 A/B-M16	7.55	1	178166
SDE 2 A/B-1/2"	6.62	1	178175
SDE 2 A/B-3/4"	7.38	1	178184
SDE 2 A/B-1"	9.98	1	178193

