

Mounting Kit VP A/B

Group: 1380

Application

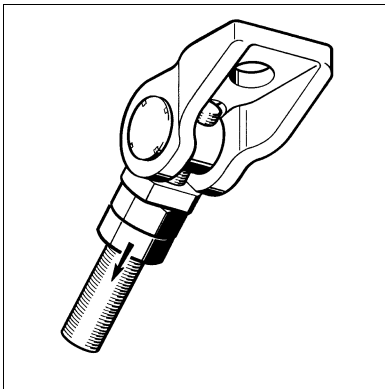
Assembly of sloped supports for Fixed Points. With the beveled Universal Joint UG FP, the sloped supports could be mounted directly to the Fixed Point Clamp.

Scope of delivery

The Universal Joints UG and UG FP are already pre-assembled as Mounting Kits, containing Threaded Stud, Hexagon Nut and Rod Coupling. By this, mistakes during assembly are almost impossible. Needed anchors have to be ordered separately.

Installation

With the optionally cut to length Threaded Tubes and Threaded Studs the Universal Joints UG and UG FP each are connected to a sloped support each. Afterwards the four sloped supports are directly assembled with the UG FP and the Fixed Point Clamp.



Technical Data

Material: Steel, all parts galvanised

Type	W [kg]	Quantity [pack]	Part number
A/B-M12	3.85	1	160663
A/B-M16	4.65	1	160672
A/B- $1\frac{1}{2}$ "	4.05	1	160681
A/B- $3\frac{3}{4}$ "	4.80	1	160690
A/B-1"	5.39	1	160706

