

Fixed Point Clamp FS

Group: 1380

Application

To be used for Fixed Point installations in combination with Mounting Kits. For completion a Mounting Kit (with or without sound absorption) and 4 braces (Sikla threaded tubes or rods) are needed.

For professional dimensioning of these components according to fixed point loads (up to 25 kN with sound absorption or up to 35 kN without sound absorption) our staff members give advice.

The symmetric construction enables absorption of axial loads in both directions. The centrally welded M16 nut offers further connection possibilities.

Scope of delivery

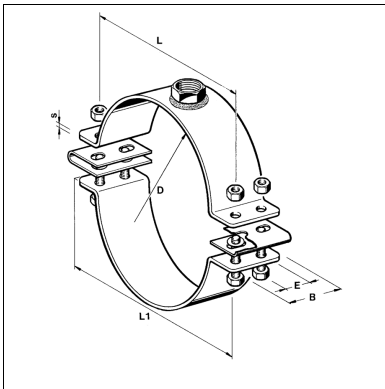
Complete with 4 clamping bolts and 4 nuts M16, from size 108 mm onwards with spring inserts.

Clamping bolts and spring inserts are fixed and retained to the lower part of the clamp; nuts are supplied loose.

Installation

Tighten clamping bolts equally with the torque M as mentioned in the table.

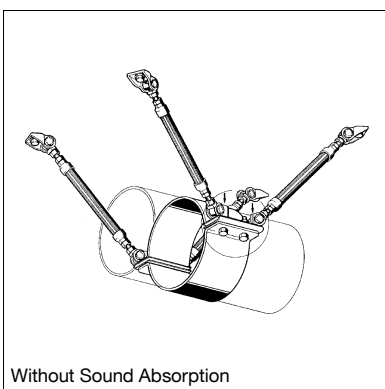
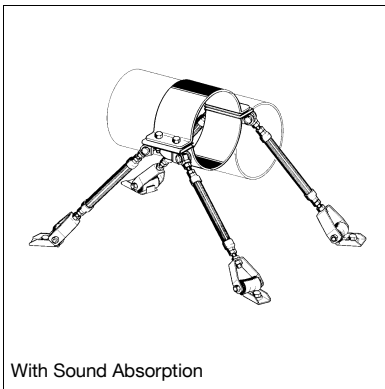
Type	Tightening torque M (Nm) ¹⁾
1/2" ... 1 1/2"	50
57 mm ... 3"	80
108 mm ... 521 mm	100



¹⁾ Tightening torque for combination FP clamp with steel pipe DIN EN 10220 / normal wall thickness. For pipes with smaller wall thickness or other material, the values have to be reduced.

Technical Data

Material: Steel, all parts galvanised



Type d [mm]	NB	B [mm]	s [mm]	L [mm]	L ₁ [mm]	E [mm]	W [kg]	Part number
21.3	1/2"	80	5	74	106	45	1.05	159979
26.9	3/4"	80	5	79	111	45	1.09	159988
33.7	1"	80	5	86	118	45	1.15	159997
42.4	1 1/4"	80	5	95	127	45	1.25	160007
45		80	5	97	129	45	1.29	160016
48.3	1 1/2"	80	5	101	133	45	1.31	160025
57		80	6	109	141	45	1.67	160034
60.3	2"	80	6	113	145	45	1.69	160043
76.1	2 1/2"	80	6	129	161	45	1.87	160052
88.9	3"	80	6	141	173	45	2.09	160061
108		100	6	166	214	50	3.31	160070
114	4"	100	6	172	220	50	3.35	160089
133		100	6	191	239	50	3.67	160098
139	5"	100	6	198	246	50	3.78	160104
159		100	6	207	255	50	4.05	160113
168	6"	100	6	217	265	50	4.28	160122
219	8"	100	6	278	326	50	4.91	160131
274	10"	100	6	331	379	50	5.57	160140
324		100	8	390	438	50	8.22	160159
356		100	8	422	470	50	8.94	160168
368		100	8	434	482	50	9.17	160177
407		100	8	473	521	50	9.58	160186
419		100	8	485	533	50	9.99	160195
508		100	8	574	622	50	11.68	160201
521		100	8	587	635	50	13.20	160210