

### Sound Absorber SDE 0

Group: 1610

#### Application

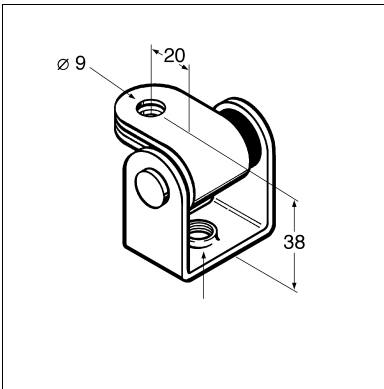
May be used for ventilation systems and other M&E services, mainly for direct ceiling attachment.

Can be combined with other support components such as Ducting Angles, Pipe Clamps, Channels or special structures. May also function as an efficient band hanger when turned by 180°.

#### Technical Data

Working load: 1.0 kN  
 Sound absorption insert: SBR/EPDM (black)  
 Hardness: 45+/-5° Shore  
 Temperature range: -50°C up to +110°C  
 Class: B2 according to DIN 4102  
 Sound absorption value: Up to 15 dB(A)

Material: Steel, electro-galvanised



| Type        | Connection to building structure | System connection | W [kg] | Quantity [pack] | Part number   |
|-------------|----------------------------------|-------------------|--------|-----------------|---------------|
| SDE 0 - M8  | Ø 9 für M8                       | M8                | 0.07   | 100             | <b>105068</b> |
| SDE 0 - M10 | Ø 9 für M8                       | M10               | 0.07   | 100             | <b>105077</b> |