

Wedge Bolt KB

Group: 1312

Application

Developed for HOLORIB composite ceilings.
May be used for single or multi-point mounting solutions for crossbars or mounting plates.

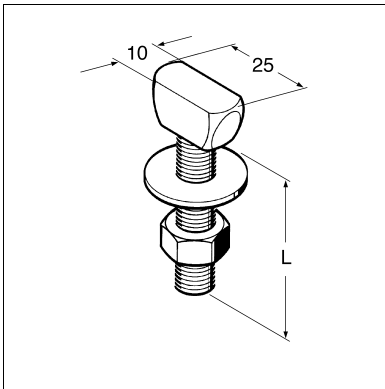
Scope of delivery

Pre-assembled with washer and nut.

Technical Data

Load values of the wedge bolt M8 respectively M10:

Type of ceiling	Working load
51/150	2.20 kN



When using crossbars or mounting plates, the individual load values as indicated in the table may be multiplied on the basis of the number of wedge bolts applied. The carrying capacity of the other elements (crossbars, etc.) may restrict the application.

Material: Cold-worked steel, electro-galvanised

Type	L [mm]	W [kg]	Quantity [pack]	Part number
M8 x 42	46	0.06	100	138042
M10 x 57	65	0.09	100	138051

