

Hook Sleeve SP

Group: 1331

Application

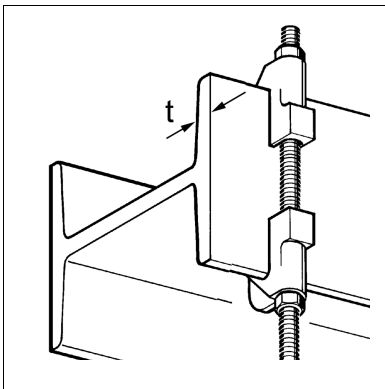
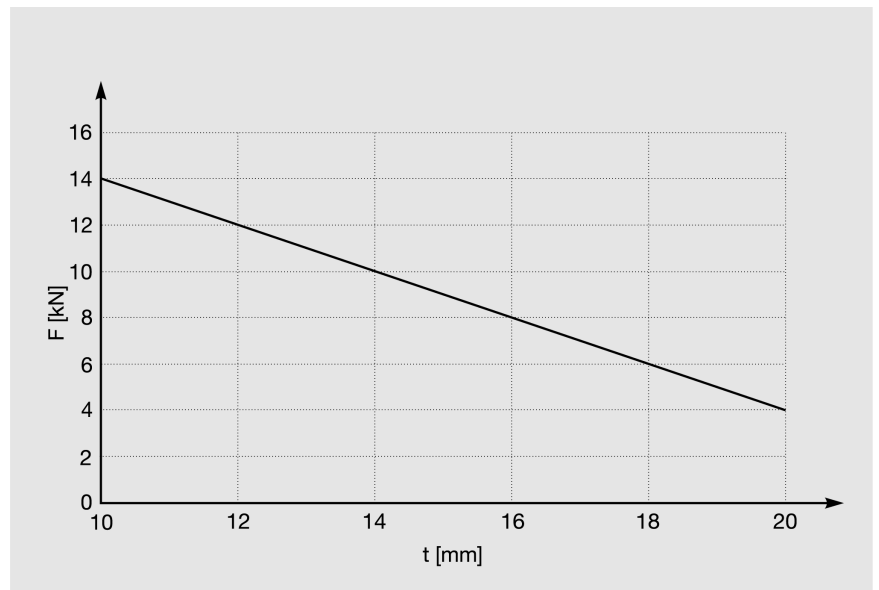
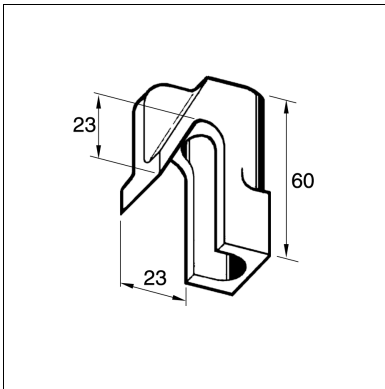
Used in combination with profiled beams as a holder for single-point mountings or for mounting crossbars.

Installation

Equipped with a (Ø 13 mm) boring for use with M8 to M12 grub screws. When using an M8 grub screw, we recommend the use of a flange nut. First tighten sturdy, after that tighten up with max 1 1/2 turns.

Technical Data

Load values



Material: Malleable cast iron, electro-galvanised

Type	W [kg]	Quantity [pack]	Part number
Hook Sleeve	0.12	50	106777