

Slide Element GLE J

Group: 1343

Application

Height-adjustable suspension slide element for all mechanical services.
Can be fixed as a single mounting element directly to the ceiling or, in case of parallel pipe runs, to Sikla Channels.

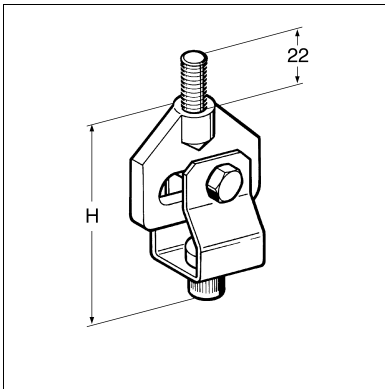
The slide roller located in the suspended section provides for smooth, jerk-free and silent sliding.

Scope of delivery

Completely pre-assembled.

Installation

The selected height is to be secured by means of a locking nut.



Technical Data

Type	FZ * [kN]
J 8	3.5 kN
J 10	3.5 kN
J 12	6.0 kN
J 16	6.0 kN

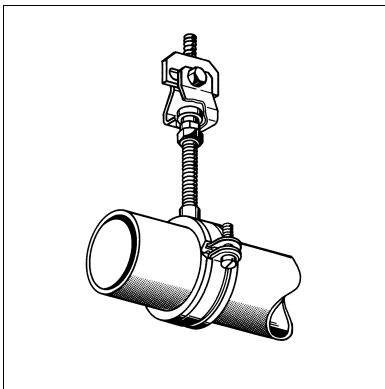
Adm. load FZ * under stress of fire

Type	FWD 30 [N]	FWD 60 [N]	FWD 90 [N]	FWD 120 [N]
J10	≤ 1.100	≤ 600	≤ 400	≤ 300
J12	≤ 1.300	≤ 1.000	≤ 500	≤ 300
J16	≤ 1.300	≤ 1.000	≤ 500	≤ 300

FZ = max. adm. tensile load

* The load capacity of the connecting elements used is to be respected, this applies in particular under stress of fire.

Maximum lateral deviation angle:	10°
Length of drop rod of threaded rod:	No limitation
Maximum sliding distance:	25 mm
Maximum height adjustment:	15 mm
Static friction coefficient μ_0 :	0,23
Sliding friction coefficient μ :	0,15
Material:	Steel/ cast iron, electro-galvanised



Type	Thread connection	Anchor size	Height H [mm]	W [kg]	Quantity [pack]	Part number
J 8	M8	M8	85	0.19	25	126852
J 10	M10	M10	85	0.19	25	126861
J 12	M12	M12	95	0.29	25	126870
J 16	M16	M12	95	0.27	25	126889