

### Slide Element GS 41

Group: 1336

#### Application

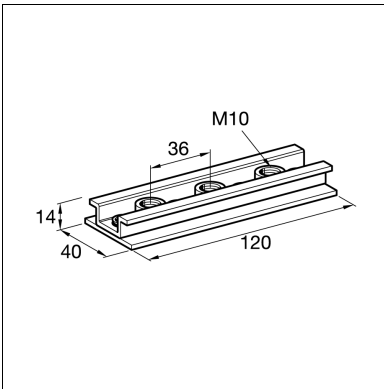
Slide element for use in Sikla Channels MS 41. For single and, using a Tandem Connector, double mounting options.

The sliding distance is determined by the length of the rail. Holding Brackets are to be used for securing the slide element. Alternatively, the Sikla Channel Holder SH may be used.

Any option in combination with Sikla Pipe Clamps Ratio S and Stabil D-3G may be realised.

Various connection options with pipe clamps in the range between M12 and R1". For these connection options, the corresponding Mounting Plate could be screwed directly with the slide element by means of bolts M10 x 20.

Suitable for ceiling and floor mounting solutions and as a guide for rising pipes.



#### Technical Data

Permissible load overhead mounting:

Single mounting: 6 kN

Double mounting: 8 kN

The permissible load capacity of the channel has to be respected.

Permissible load floor mounting:

Single mounting/Double mounting: 4 kN

Single mounting with mounting plate: 8 kN

Lever arm  $L_{max}$  for single mounting:

150 mm

Static friction coefficient  $\mu_0$  :

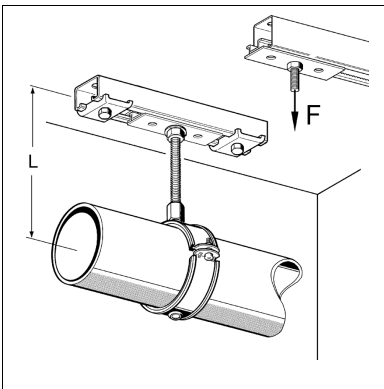
0.16

Sliding friction coefficient  $\mu$  :

0.14

Material:

Steel, electro-galvanised



The permissible bending moment of the connection elements (threaded rod or threaded tube) may restrict the application!

Type	Thread connection	W [kg]	Quantity [pack]	Part number
41 - M10	M10	0.18	10	<b>190658</b>

