

Channel Extension ST 41

Group: 1356

Application

Highly variable extension piece for channels and channel constructions.

- ◆ Continuously variable from 0 up to 200 mm, simple adjustment, especially for elevated constructions.
- ◆ Ideal for the laying of individual or several pipelines with obligatory declines and for compensation of large tolerances of the building apart from the plans.
- ◆ In combination with Sikla Cantilever Brackets 41/41 continuously variable supports up to 1.2 m height are possible.

Suitable for all Sikla Channels MS 41 (height ≥ 41 mm).

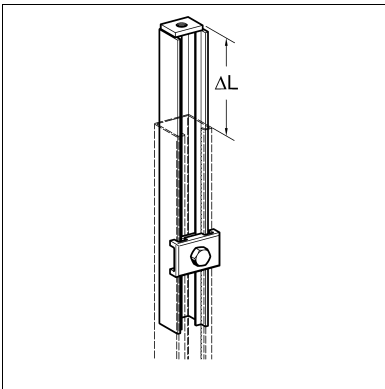
Scope of delivery

Complete component with pre-assembled Holding Bracket.

Technical Data

Max. perm. load F_{perm} Advance for torque 40 Nm = 1.5 kN

Material Steel, electro-galvanised



Type	Thread connection	W [kg]	Quantity [pack]	Part number
ST 41	M10	0.68	25	189740

