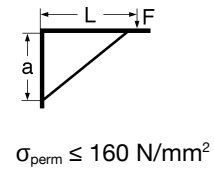
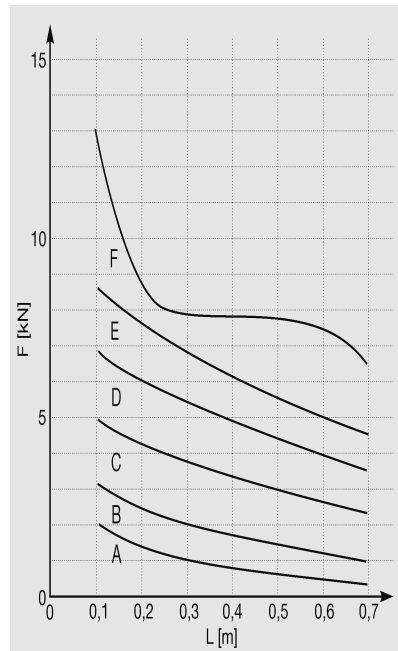
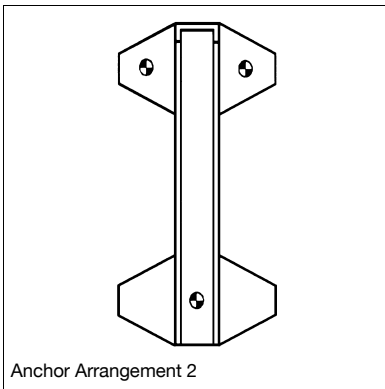
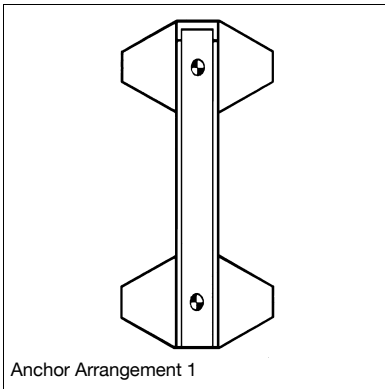
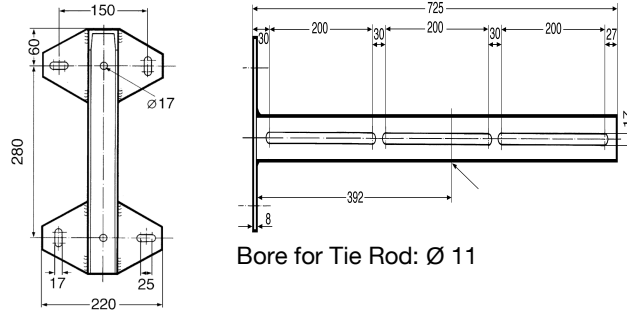


Support Bracket WK 725/400



Anchor load classes [kN]

Figure	Arrangement 1	Arrangement 2	f_{max}
A	2 x 1.5	-	L/3000
B	1 x 3.5 1 x 1.5	3 x 1.5 -	L/2000
C	1 x 6.0 1 x 2.5	2 x 3.5 1 x 1.5	L/1000
D	1 x 9.0 1 x 3.5	2 x 6.0 1 x 2.5	L/900
E	1 x 13.0 1 x 3.5	2 x 9.0 1 x 3.5	L/700
F	- -	2 x 13.0 1 x 6.0	L/500