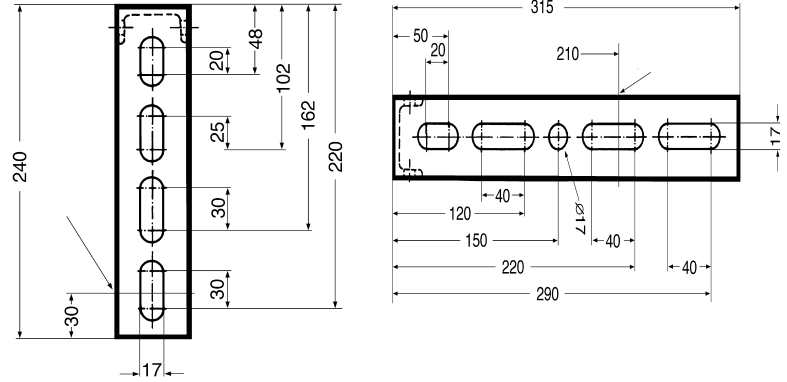
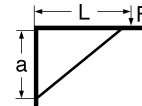
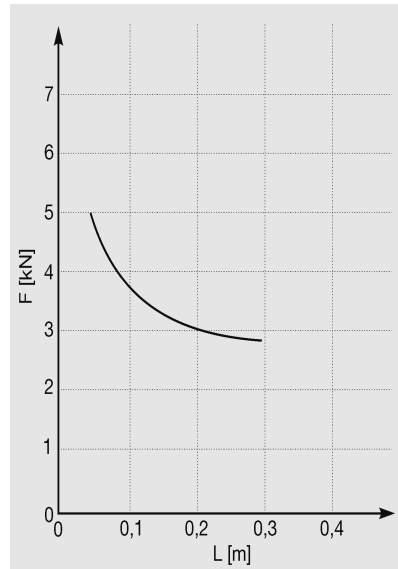


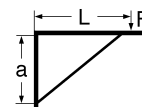
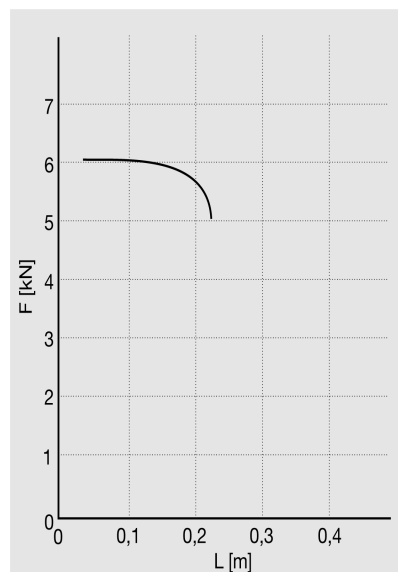
Support Bracket WK 300/200



Bore for Tie Rod: $\varnothing 11$



Anchor load classes
(top/bottom):
6.0/2.5 kN
 $a = 180 \text{ mm}$
 $f < L/400$
 $\sigma_{zul} \leq 160 \text{ N/mm}^2$



Anchor load classes
(top/bottom):
6.0/3.5 kN
 $a = 260 \text{ mm}$
 $f < L/300$
 $\sigma_{perm} \leq 160 \text{ N/mm}^2$