

100/100, 150/150, 200/200

Support Bracket WK

Group: 1326 / 1826

Application

Sikla Support Brackets may be used for wall, floor and overhead pipe installation.

Depending on the site, pipes may lie on the support bracket (U bolt), be arranged in vertical position or be suspended (grub screws).

In combination with bolted-on channels, the support brackets offer a wide range of possibilities for cantilever arrangements. In addition, the load capacity of cross-bars can be increased by fixing them onto Support Brackets.

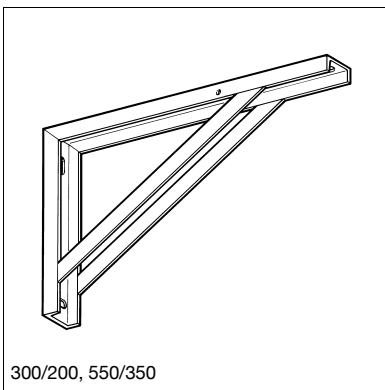
Technical Data

Material: Steel, sizes up to 550/350 electro-galvanised
 sizes 725/400 and 880/550 hot-dipped galvanised (hdg)

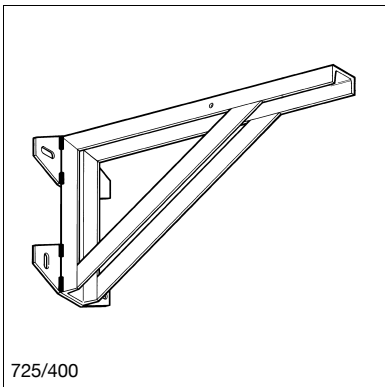
Details on dimensions and carrying capacities: see following pages.

The permissible loads depicted by the characteristic curves in the graphs are taking into account the reduced load capacity of the stipulated anchors due to reduced centre distances.

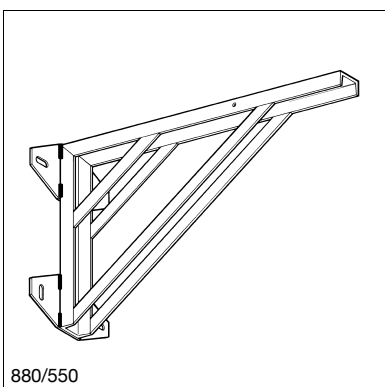
Anchors could be used at your own option, but they must respect the mentioned load capacities according to DIBt approval.



300/200, 550/350



725/400



880/550

Type	Channel	W [kg]	Quantity [pack]	Part number
100/100	-	0.16	25	145626
100/100-40	-	0.21	25	163921
150/150	-	0.58	25	155513
200/200	-	1.22	10	118170
300/200	U 50/25	2.32	1	118046
550/350	U 50/25	4.45	1	145635
725/400	U 65/42	12.72	1	151041
880/550	U 65/42	18.43	1	151050