

Insulated Foot SHB SQF F 80

Group: A440

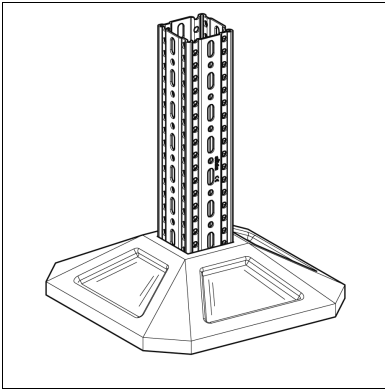
Application

Comprehensive solution out of synthetic rubber for flat roofs and central energy supply centers with coated floor. In combination with the Sikla Assembly System siFramo 80 any structures can quickly and simply be realised. The water permeable rubber allows a secure and reliable support with constant load distribution. Particularly suitable for the fixation of aggregates, pipings, ventilation ducts and walkways.

The Beam Section TP F 80 can be mounted to the Insulated Foot SHB SQF F 80.

Installation

Insert the Beam Section TP F 80 into the Insulated Foot's slot.

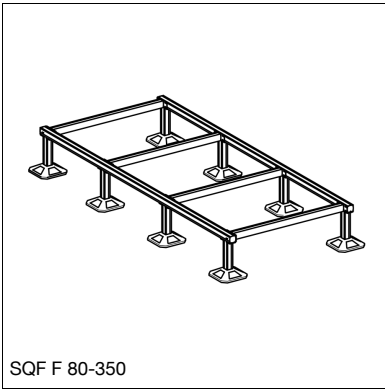


Technical Data

| Type | max. perm. pressure load F_N [kN] | Height [mm] | Insertion depth [mm] |
|---------|-------------------------------------|-------------|----------------------|
| SQF 350 | 16 | 100 | 60 |
| SQF 500 | 16 | 130 | 90 |

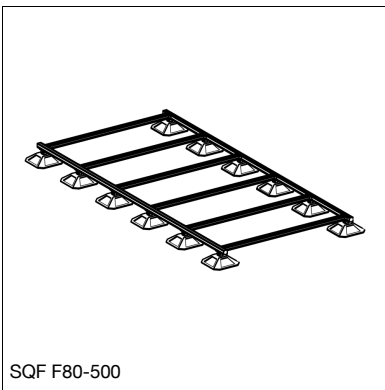
Die systembedingte Haftreibung ist bauseits zu ermitteln. Abhängig von der verwendeten Dachfolie wird der Einsatz einer zusätzlichen Trennschicht empfohlen. Die Lastenleitung ins Bauwerk ist bauseits zu prüfen.

Material: Styrene butadiene rubber



SQF F 80-350

| Type | Plate dimensions [mm] | W [kg] | Quantity [pack] | Part number |
|------------------|-----------------------|--------|-----------------|---------------|
| SHB SQF F 80-350 | 350 x 350 | 5.4 | 1 | 218865 |
| SHB SQF F 80-500 | 500 x 500 | 13.0 | 1 | 218868 |



SQF F80-500