

### Beam Clip SPA 5P HCP

Group: 1831

#### Application

Universal clamping element for bi-lateral attachment of crossbars for pipe runs, ducts, cable lines and equipment to steel beams.

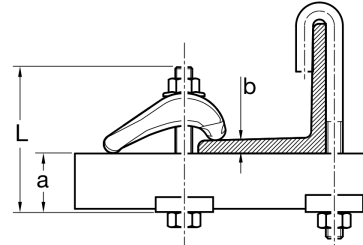
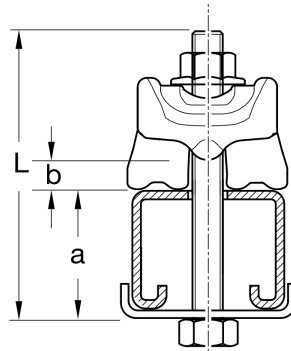
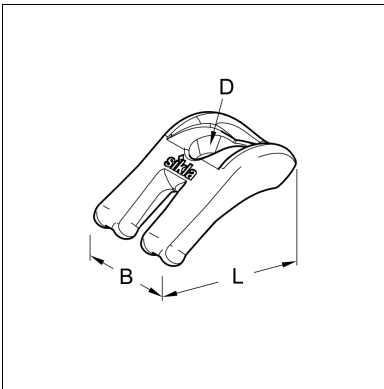
#### Installation

Position the Beam Clip with the slit side on the component, the lug has to be positioned on the steel girder. Then insert the appropriate hexagon bolt und tighten it with washer and nut.

Determination of the required screw length  $L_{min}$ :

#### Arrangement A

Hexagon bolt with Holding Bracket

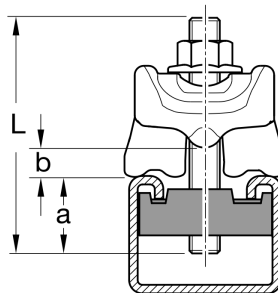
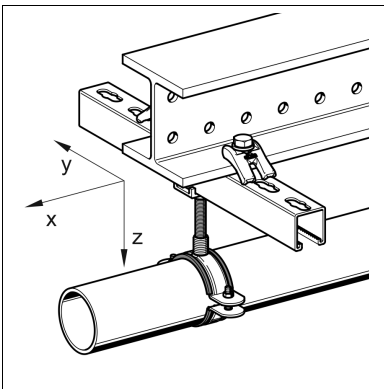


M12:  $L_{min} = a + b + 47$  [mm]

M16:  $L_{min} = a + b + 57$  [mm]

#### Arrangement B

Inserted T-Head Bolt HZ



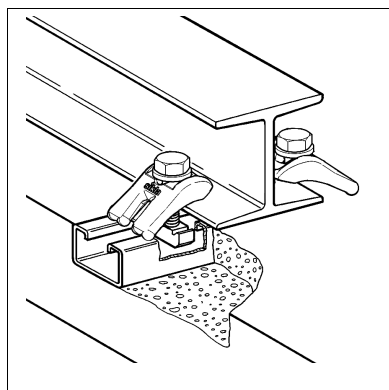
M12:  $L_{min} = b + 53$  [mm]

M16:  $L_{min} = b + 63$  [mm]

#### Technical Data

Type	Clamping range [mm]	B [mm]	L [mm]	D [mm]
M12	1 - 30	44	60	13
M16	4 - 40	48	72	17

Type	Tightening torque $M_A$ [Nm]	$F_z$ permitted per Beam clip [kN] <sup>1)</sup>	Shear force load capacity $F_x$ per 2 Beam Clips [kN] <sup>2)</sup>
M12	85	13.8	3.2
M16	150	16.7	3.6



- 1) The specified data relate to the application of a standard hexagon bolt with strength class 8.8.
- 2) The specified data relate to the worst case with flange thicknesses 30 mm (M12) or 40 mm (M16) as well as a coefficient of static friction  $\mu_{\text{adhesion}} = 0.20$ .  
A possibly operating tensile force  $F_z$  isn't included.

Material: Steel, HCP

Type	W [kg]	Quantity [pack]	Part number
M12	0.16	20	<b>114880</b>
M16	0.27	20	<b>114881</b>