

### Fixed Point XR - H 20 (DN 65 - 300)

Group: A770

#### Application

Fixed Point for attachment of steel or stainless steel pipes of DN 65 up to DN 300 on steel beams with width of 80 up to 300 mm and max. flange thickness of 20 mm.

#### Scope of delivery

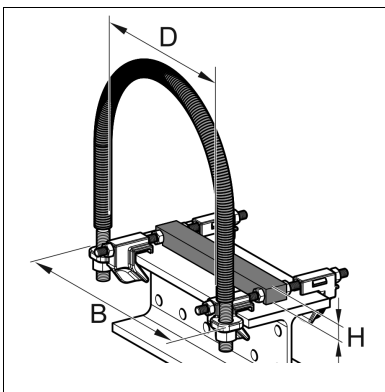
Preassembled Fixed Point including contact corrosion protection by means of a U-bolt sheath and PA slide bearing blocks. U-bolt with 2 hex nuts to secure position.

Guided Support set contains:

- 4 clamping hooks
- 1 slide bar
- 2 connecting rods M10
- 8 nuts M10

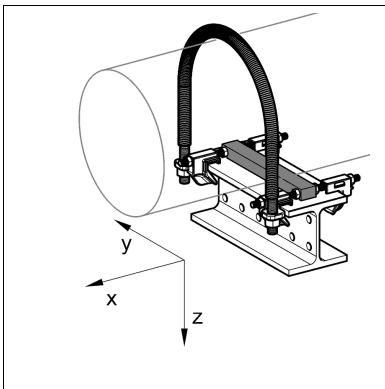
#### Installation

Position the preassembled clamping hooks onto the beam flange and tighten the nuts (to 10 Nm). For beam width < 100mm the 4 nuts of the PA bearing block have to be removed. Fasten U-bolt to the clamping hooks with the nuts included (to 50 Nm). The pipe is pressed against the PA bearing block.



#### Technical Data

DN	D [mm]	H [mm]	B [mm]
65	76	20	124
80	89	20	136
100	114	20	162
125	140	20	190
150	170	20	218
175	194	20	244
200	219	20	270
225	245	20	300
250	273	20	328
300	324	20	378



Type	for flange width [mm]
80/120	80 - 120
140/160	121 - 160
180/220	161 - 220
240/260	221 - 260
280/300	261 - 300

Material:

U-bolt:	Steel, HCP
U-bolt sheath:	Polyamide 6.0, free of halogens
Sheet metal parts:	Steel, HCP
Rods, nuts:	Steel, HCP
PA block:	Polyamide 6.0, 30 % glass fibre reinforced, black
Temperature range:	-20 to +130° C (at the PA block and shrinking tube)

\* in stock

Type	W [kg]	Quantity [pack]	Part number
XR - H 20 DN 65 - 80/120	1.7	10	113775
XR - H 20 DN 65 - 140/160	1.9	1	113776
XR - H 20 DN 65 - 180/220	2.0	1	113777
XR - H 20 DN 65 - 240/260	2.1	1	113778
XR - H 20 DN 65 - 280/300	2.1	1	113779
XR - H 20 DN 80 - 80/120 *	1.8	5	113780
XR - H 20 DN 80 - 140/160	2.0	1	113781
XR - H 20 DN 80 - 180/220	2.1	1	113782
XR - H 20 DN 80 - 240/260	2.2	1	113783
XR - H 20 DN 80 - 280/300	2.3	1	113784
XR - H 20 DN 100 - 80/120 *	1.8	5	113785
XR - H 20 DN 100 - 140/160	2.0	1	113787
XR - H 20 DN 100 - 180/220	2.1	1	113788
XR - H 20 DN 100 - 240/260	2.2	1	113789
XR - H 20 DN 100 - 280/300	2.3	1	113790
XR - H 20 DN 125 - 80/120 *	1.9	5	113791
XR - H 20 DN 125 - 140/160	2.1	1	113792
XR - H 20 DN 125 - 180/220	2.2	1	113793
XR - H 20 DN 125 - 240/260	2.3	1	113794
XR - H 20 DN 125 - 280/300	2.4	1	113796
XR - H 20 DN 150 - 80/120 *	2.0	5	113802
XR - H 20 DN 150 - 140/160	2.2	1	113797
XR - H 20 DN 150 - 180/220	2.3	1	113798
XR - H 20 DN 150 - 240/260	2.4	1	113799
XR - H 20 DN 150 - 280/300	2.5	1	113800
XR - H 20 DN 175 - 80/120	2.1	5	113803
XR - H 20 DN 175 - 140/160	2.3	1	113804
XR - H 20 DN 175 - 180/220	2.4	1	113805
XR - H 20 DN 175 - 240/260	2.5	1	113806
XR - H 20 DN 175 - 280/300	2.5	1	113807
XR - H 20 DN 200 - 80/120 *	2.1	5	113808
XR - H 20 DN 200 - 140/160	2.3	1	113809
XR - H 20 DN 200 - 180/220	2.4	1	113811
XR - H 20 DN 200 - 240/260	2.5	1	113812
XR - H 20 DN 200 - 280/300	2.6	1	113813
XR - H 20 DN 225 - 80/120	2.6	5	113814
XR - H 20 DN 225 - 140/160	2.8	1	113815
XR - H 20 DN 225 - 180/220	2.9	1	113816
XR - H 20 DN 225 - 240/260	2.9	1	113817
XR - H 20 DN 225 - 280/300	3.0	1	113818
XR - H 20 DN 250 - 80/120	2.7	5	113819
XR - H 20 DN 250 - 140/160	2.9	1	113820
XR - H 20 DN 250 - 180/220	3.0	1	113821
XR - H 20 DN 250 - 240/260	3.0	1	113822
XR - H 20 DN 250 - 280/300	3.1	1	113823
XR - H 20 DN 300 - 80/120	2.8	5	113824
XR - H 20 DN 300 - 140/160	3.0	1	113825
XR - H 20 DN 300 - 180/220	3.2	1	113826
XR - H 20 DN 300 - 240/260	3.2	1	113827
XR - H 20 DN 300 - 280/300	3.3	1	113828