

Pivot Joint GE F 100

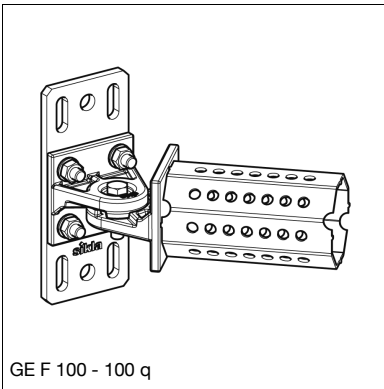
Group: A437

Application

Applicable as a bracing element for single-arm cantilevers in conjunction with siFramo 100 section, and for the knee-brace reinforcing of siFramo frame constructions. The pivot can be installed with angles from 25° to 155°.

Installation

Attachment of the Joints to Beam Section TP F 100 by means of 4 Self Forming Screws FLS F at the base plate. The support profile TP F 80 or TP F 100 (depending on joint type) plugged onto the octagon is also attached by means of 4 Self Forming Screws, so 8 Self Forming Screws are necessary in total. After installation at the desired angle the screws have to be tightened with 40 Nm.



Technical Data

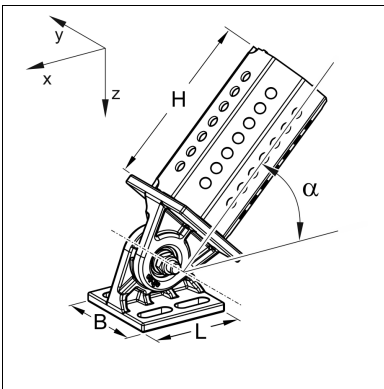
Type	Height H [mm]	Length L [mm]	Width B [mm]	Angle α	Dimensions of base plate [mm]
GE F 100 - 80	140	100	100	25° - 155°	-
GE F 100 - 80 q	140	100	80	25° - 155°	210 x 100 x 8
GE F 100 - 100	180	100	100	25° - 155°	-
GE F 100 - 100 q	180	100	100	25° - 155°	210 x 100 x 8

Material: Steel, HCP

Approvals / Conformity



NEPD-4539-3797-EN



Type	W [kg]	Quantity [pack]	Part number
GE F 100 - 80	2.3	1	113838
GE F 100 - 100	3.0	1	113837
GE F 100 - 80 q	3.4	1	113032
GE F 100 - 100 q	4.1	1	113836

