

Pivot Joint GE F 80

Group: A437

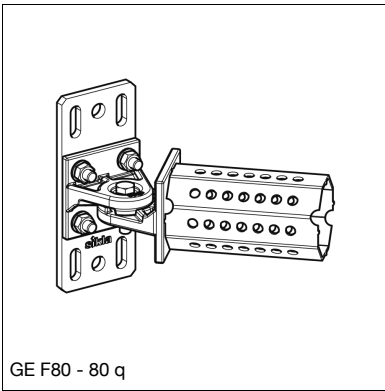
Application

Applicable as a bracing element for single-arm cantilevers in conjunction with siFramo 80 section, and for the knee-brace reinforcing of siFramo 80 frame constructions. The pivot can be installed with angles from 25° to 155°.

Installation

Attachment of Joint GE F 80 to Beam Section TP F 80 by means of 4 Self Forming Screws FLS F at the base plate. The support profile TP F 80 plugged onto the octagon is also attached by means of 4 Self Forming Screws, so 8 Self Forming Screws are necessary in total.

After installation at the desired angle the screws have to be tightened with 40 Nm.



Technical Data

Type	Height H [mm]	Length L [mm]	Width B [mm]	Angle α	Dimensions of base plate [mm]
GE F 80 - 80	140	80	80	25° - 155°	-
GE F 80 - 80 q	140	80	80	25° - 155°	190 x 80 x 8

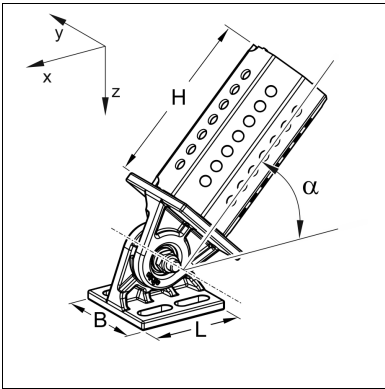
Material: Steel, HCP

Approvals / Conformity



epd

NEPD-4539-3797-EN



Type	W [kg]	Quantity [pack]	Part number
GE F 80 - 80	2.1	1	113835
GE F 80 - 80 q	3.0	1	113834

