

## Beam System Eye-Plate HP 80/99

Group: A299

### Application

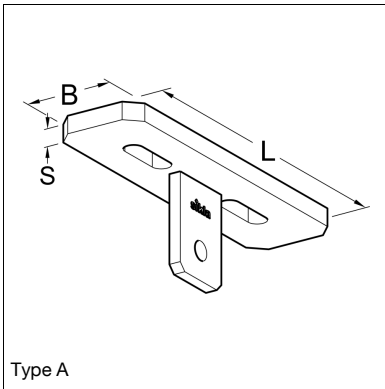
Connecting component for the direct attachment of rod hanger assemblies to beam sections with a flange width 80-99mm. The pre-welded Eye-Plate serves as a basic element for the connection of the Rod Hanger Load Chain Assembly LKV in sizes M10 up to M16 rod and Pipe Clamps type Stabil Form C LK.

### Installation

The Beam System Eye-Plate HP 80/99 is clamped to the supporting steel beam section by means of Assembly Set MS 5P M12 S2. The Eye-Plate can also be fastened directly to concrete by means of 2no. M12 anchors.

Type A: Load Chain runs crosswise to the beam

Type B: Load Chain runs longitudinally to the beam



### Technical Data

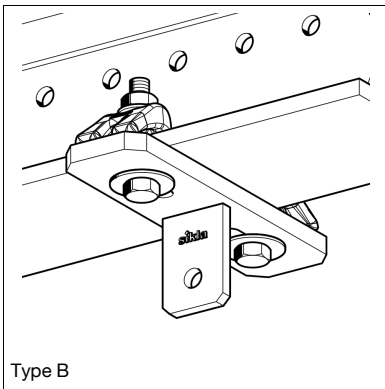
Type	max. perm. tensile load [kN]
M10	11.2
M12	12.1
M16	12.5

The implementation and construction requirements of the components, their design as well as their verifications and load tests were carried out following the standards VGB R 510 L part I, KTA 3205.3 and DIN EN 13480-3.

L [mm]	B [mm]	S [mm]
200	60	12

Material: Steel, HCP

**Hinweis:** Delivery time on request



Type	W [kg]	Quantity [pack]	Part number
HP 80/99 - A M10	1.2	10	<b>113029</b>
HP 80/99 - A M12	1.3	10	<b>113030</b>
HP 80/99 - A M16	1.5	10	<b>113031</b>
HP 80/99 - B M10	1.2	10	<b>113026</b>
HP 80/99 - B M12	1.3	10	<b>113027</b>
HP 80/99 - B M16	1.5	10	<b>113028</b>

