

### Channel Lining SAL

Group: 1611

#### Application

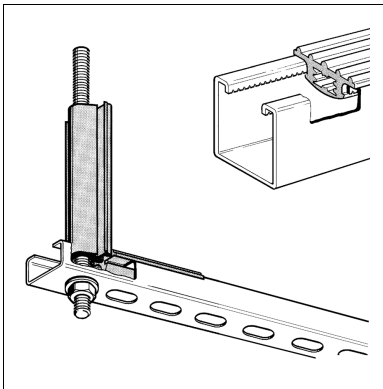
Sound Absorption Lining for inserting into Sikla Channels or fitting around threaded rods; mainly for use in ducting systems, also for sound proof installations as per DIN 4109.

#### Scope of delivery

Rolls of 30 m or pieces of 50 mm each.

#### Technical Data

Material: SBR/EPDM, black  
 Temperature range: -40°C up to +110°C  
 Fire resistance: B2 according to DIN 4102, non-dripping  
 Hardness: 45°+/-5° Shore



Type	Thread connection	Length of piece [mm]	Roll [m]	W [kg]	Quantity [pack]	Part number
27	M8/M10	-	30	6.00	1 Rolle	<b>195963</b>
27/L100	M8/M10	100	-	0.01	100	<b>195970</b>
41	M8/M10	-	30	14.27	1 Rolle	<b>101189</b>
41/L50	M8/M10	50	-	0.02	100	<b>101204</b>