

Duo Clamp SRS

Group: 1223

Application

Two-piece pipe clamp with double thread connection (M8/M10) for the installation of pipelines.

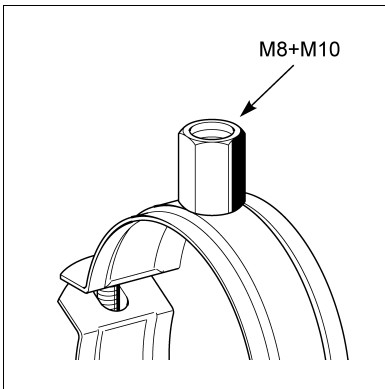
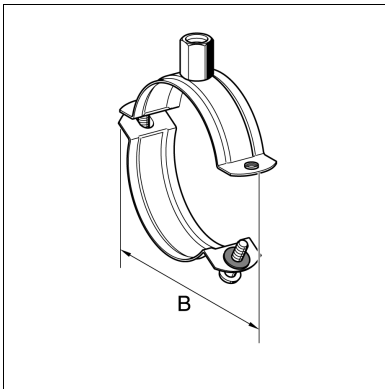
Scope of delivery

Supplied with two bolts partially mounted on one side and therefore ready for immediate installation. The clamping bolt on the open side is retained by a plastic washer, thus preventing any accidental unscrewing.

Technical Data

Size [mm]	Max. adm. load (tension)	Tightening torque [Nm]
13 - 73	0.6 kN	2
75 - 167	2.5 kN	2

Material: Steel, electro-galvanised



Size range [mm]	Material W x th [mm]	W [kg]	Quantity [pack]	Part number
13 - 18	20 x 1.5	0.04	100	173216
19 - 22	20 x 1.5	0.05	100	173225
23 - 26	20 x 1.5	0.05	100	111470
27 - 30	20 x 1.5	0.05	100	173234
32 - 36	20 x 1.5	0.05	100	173243
40 - 44	20 x 1.5	0.06	50	173252
48 - 54	20 x 1.5	0.07	50	173261
55 - 59	20 x 1.5	0.08	50	182990
60 - 66	20 x 1.5	0.08	50	173279
68 - 73	20 x 1.5	0.09	25	173288
75 - 80	25 x 2.0	0.15	25	173297
84 - 89	25 x 2.0	0.16	25	173306
90 - 98	25 x 2.0	0.16	25	186023
94 - 101	25 x 2.0	0.17	25	186032
102 - 108	25 x 2.0	0.18	25	173315
110 - 115	25 x 2.0	0.18	25	173324
118 - 125	25 x 2.5	0.24	25	186041
129 - 136	25 x 2.5	0.26	25	191387
138 - 144	25 x 2.5	0.27	25	191396
144 - 153	25 x 2.5	0.29	25	191405
159 - 167	25 x 2.5	0.30	25	191414