

Adapter AD f/f

Group: 1333

Application

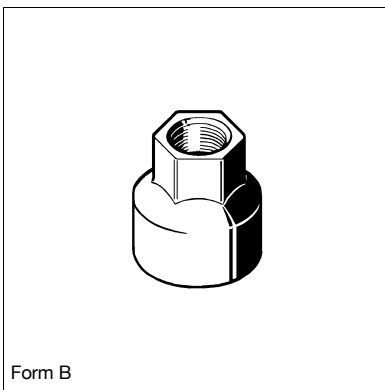
Additional connection options for all Sikla Pipe Clamps equipped with 3G triple thread nut, fixed points and threaded tubes.

Technical Data

Material:

Form A: Steel, electro-galvanised

Form B: Malleable cast iron, electro-galvanised



Type	Form	Length [mm]	A/F [mm]	W [kg]	Quantity [pack]	Part number
M16/M10	A	35	19	0.05	50	106740
M16/M12	A	35	19	0.04	50	124665
M16/M16	A	30	19	0.03	50	106290
1/2"/M10	A	35	24	0.07	10	146371
1/2"/M12	A	35	24	0.06	25	156639
1/2"/M16	A	40	24	0.07	25	124656
1/2"/1/2"	A	35	24	0.11	10	146380
3/4"/M10	A	35	32	0.15	10	105651
3/4"/M12	A	35	32	0.16	10	105749
3/4"/M16	A	35	32	0.14	10	105660
3/4"/1/2"	A	35	32	0.12	10	146399
1"/M10	B	40	22	0.13	10	105679
1"/M12	B	40	22	0.13	10	105758
1"/M16	B	40	22	0.12	10	105688
1"/1/2"	B	40	27	0.12	10	146405

