

Pipe Clamp Stabil I-1/2" ss

Group: 1719

Application

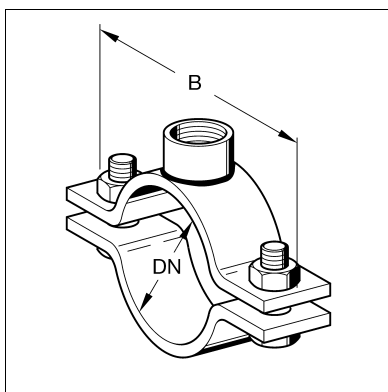
Heavy pipe clamp for industrial application.

Scope of delivery

Two-piece pipe clamp with all around welded 1/2" nut with clamping bolts and nuts.

Installation

Suitable for single-point fixing directly with 1/2" threaded tube or connected by respective adapters up to 1" threaded tube.



Technical Data

Material: Stainless steel 1.4404

Type	Material b x s [mm]	Clamping bolts	B [mm]	Max. adm. load (tension) [kN]
22	30 x 5	M10 x 35	86	4.7
27	30 x 5	M10 x 35	93	4.7
34	30 x 5	M10 x 35	102	4.7
44	30 x 5	M10 x 35	114	4.7
49	30 x 5	M10 x 35	119	4.7
61	40 x 5	M12 x 40	136	8
77	40 x 5	M12 x 40	152	8
89	40 x 5	M12 x 40	165	8
115	50 x 5	M12 x 40	192	11

Type	For pipe [NB]	W [kg]	Quantity [pack]	Part number
22	15	0.30	25	188228
27	20	0.32	25	188237
34	25	0.35	25	188246
44	32	0.40	25	188255
49	40	0.40	25	188264
61	50	0.62	25	188273
77	65	0.67	25	188282
89	80	0.75	25	188291
115	100	1.05	10	188300