

End Support STA 100

Application

In connection with Beam Bracket TKO 100, the End Support STA 100 enables the construction of crossbars, as well as further conjunctions between building structure and steel construction. By means of the slotted holes a simple compensation of structural deviations is possible up to 50 mm.

Scope of delivery

Base plate welded to beam holder

Accessories:

4 Hexagon Bolts M12 x 40

4 Hexagon Nuts M12

8 Washers

Technical Data

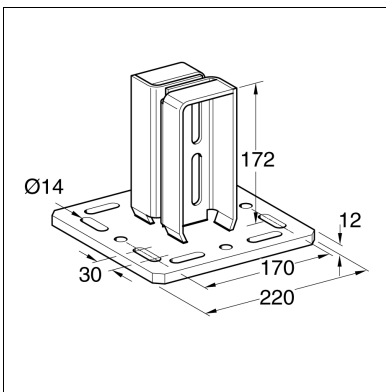
Material:

STA 100: Steel, HCP

Bolts: Steel, class 8.8, HCP

Nuts: Steel, class 8.8, HCP

Washers: Steel, HCP



Type	W [kg]	Quantity [pack]	Part number
STA 100	6.4	1	183971

