

Bracing Arm SKO 100

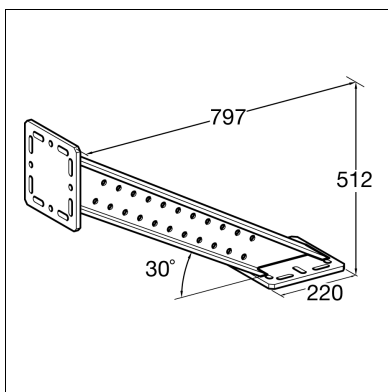
Application

Beam Bracket suitable as support for horizontal structures or as reinforcement of bearing constructions on site.

Installation

Depending on the situation, different options are recommended:

- a) Fixing to the building structure using 4 heavy-duty anchors M12.
- b) Frictional construction to steel beams (flange width 80 - 120 mm) with Assembly Set 5P M12 S.
- c) Interlocking connection to Beam Bracket TKO 100 or 120 by means of Bracket Plates FV 100/120.



Technical Data

Configuration: Base plate welded to beam section 100

Material: Steel, HCP

Approvals / Conformity

CE mark (Declaration of performance see www.sikla.com/service/downloads)

Type	W [kg]	Quantity [pack]	Part number
SKO 100-30 x 760	22.0	1	191531

