

above:100..., below 100q...

Joining Beam Bracket QKO 100

Application

Element for vertical assembly on concrete or steel beams, especially for risers. In the QKO variant, the flange surface is parallel to the base plate and welded on one side with a support plate. The variant QKOq has the support turned by 90° and thus fixed vertically on the base plate.

Installation

Depending on the situation, different options are recommended:

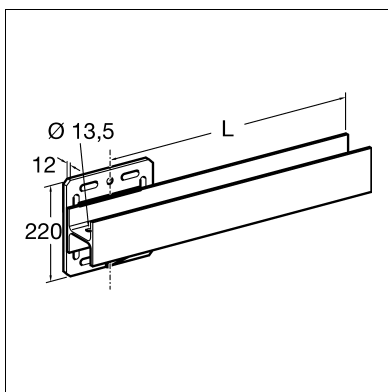
- a) Fixing on concrete by means of 4 heavy duty anchors M12
- b) Frictional connection to steel beams (flange width 80 - 120 mm) by means of Assembly Set 5P M12 S.
- c) Interlocking connection to TKO 100 or 120 by means of Bracket Plates FV 100/120

Technical Data

Configuration: Base plate and support flange welded to IPBI 100
 Material: Steel, HCP

Approvals / Conformity

CE mark (Declaration of performance see www.sikla.com/service/downloads)



Type	L [mm]	W [kg]	Quantity [pack]	Part number
QKO 100 x 600	600	16.1	1	183917
QKO 100 x 1000	1000	24.1	1	183926
QKO 100q x 600	600	15.6	1	183935
QKO 100q x 1000	1000	23.5	1	183944

