

Bracket Plates FV 100/120

Application

For safe interlocking connection of a Beam Bracket or an End Support STA to other Beam Brackets TKO (adjustment as per grid with 25 or 50 mm).

Scope of delivery

Two identical plates.

Accessories:

2 Hexagon Bolts M12 x 35

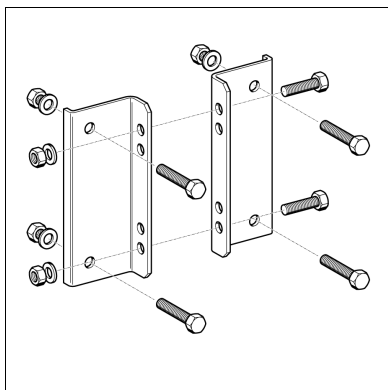
4 Hexagon Bolts M12 x 45

6 Hexagon Nuts M12

6 Washers

Installation

Mount Bracket Plates to Beam Bracket TKO by using 2 Hexagon Bolts M12 x 35. Then attach requested Beam Bracket TKO or End Support STA by using 4 Hexagon Bolts M12 x 45.



Technical Data

Material:

Bracket Plates: Steel, HCP

Bolts: Steel, class 8.8, HCP

Nuts: Steel, class 8, HCP

Washers: Steel, HCP

Type	W [kg]	Quantity [pack]	Part number
FV 100/120	2.5	1	187616

