

Joining Plate AP

Application

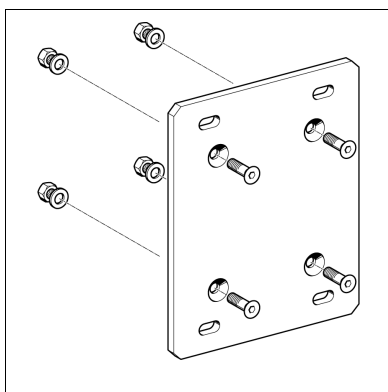
Interface element to enable the connection of standard endplates of Beam Brackets TKO F80 or F100, TKO 100 or 120 to primary steel with flange width >120 mm.

Scope of delivery

Joining Plate AP
 4 Countersink Screws M12 x 40
 4 Hexagon Nuts M12
 4 Sicherungsscheiben

Installation

Connect the Joining Plate AP to the Beam Bracket TKO's end plate by using the accessories above. Then continue with either heavy-duty anchors or Assembly Set 5P/Beam Clips as required by the building structure.

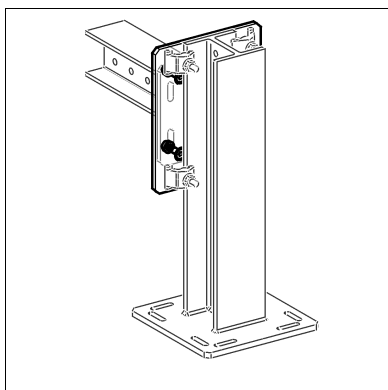


Technical Data

Type	Dimension of Base Plate L x B [mm]	Perforation for	Connection to flange width [mm]
AP 121/160	320 x 260 x 12	M12	121 - 160
AP 161/200	320 x 310 x 12	M16	161 - 200
AP 201/240	320 x 360 x 12	M16	201 - 240
AP 241/310	420 x 220 x 12	M16	241 - 310

Material:

Joining Plate: Steel, HCP
 Bolts: Steel DIN EN ISO 10642, class 8.8, HCP
 Nuts: Steel, class 8, HCP
 Washers: Steel, HCP



Type	W [kg]	Quantity [pack]	Part number
AP 121/160	7.7	1	183953
AP 161/200	9.3	1	183962
AP 201/240	10.4	1	116534
AP 241/310	8.4	1	117767

