

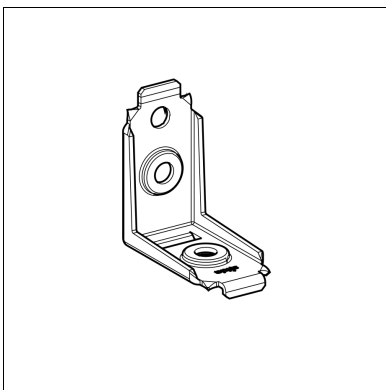
### Angle 90° Stabil HCP

#### Application

Connecting component for Channel frame constructions. Version W for connections to wall, floor or ceiling

#### Technical Data

Material thickness Channel (mm)	FZ [kN]	FQ [kN]
1,5	3,5	2,3
2,0	3,5	2,3
2,5	3,5	3,5
3,0	3,5	3,5



Material: Steel, HCP

Type	W [kg]	Quantity [pack]	Part number
CC 90° Stabil	0.12	25	<b>192737</b>
CC 90° W Stabil	0.12	25	<b>192746</b>