

### Slide Set GS F 1G

Group: A436

#### Application

Slide Set in solid construction for installation on top of siFramo Beam Sections TP F. 1/2" thread connection allows direct connection to pipe clamp Stabil I -1/2" by means of threaded tube without further adaption parts.

#### Installation

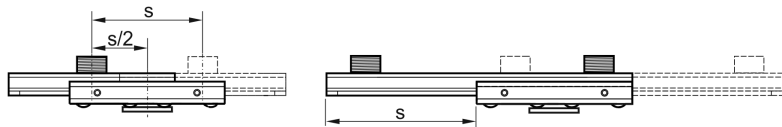
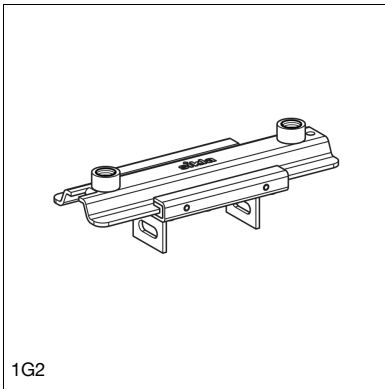
Installation on top of Beam Section TP F with two Self Forming Screws FLS F.

#### Technical Data

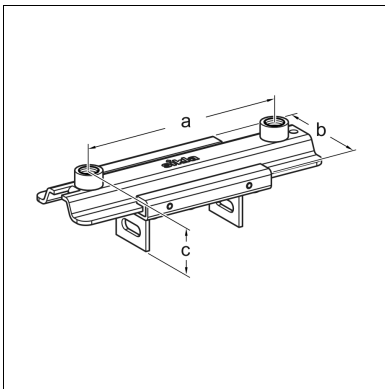
Type	a [mm]	b [mm]	c [mm]	perm. load support [kN]	perm. load suspended [kN]
GS F 80 1G	-	102	80.5	17.0	5.4
GS F 80 1G2	210	102	80.5	12.0	8.4

The perm. loads have been determined by load tests following DIN EN 13480-3 annex J.

The pipe clamp and the possibly used 1/2" threaded tube have to be verified separately.



Type	max. lever [mm]	max. glide path s [mm]
GS F 80 1G	200	100
GS F 80 1G2	300	135



Temperature range (permanent exposure): 130°C  
 Static friction coefficient  $\mu_0$ : 0,20  
 Sliding friction coefficient  $\mu$ : 0,15

Material:  
 Metal components: Steel, HCP  
 Slide bar: Polyamide, glass fibre reinforced

Type	W [kg]	Quantity [pack]	Part number
GS F 80 1G	1.3	10	113885
GS F 80 1G2	1.7	10	113886