

Stabil Form C LK

Group: A299

Application

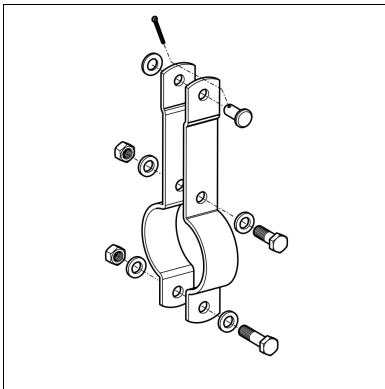
Industrial pipe clamp following VGB-R 510 L for standard industrial pipe supports. The pipe clamp Stabil Form C LK can be used as pendulum suspension or as part of a rod hanger.

Scope of delivery

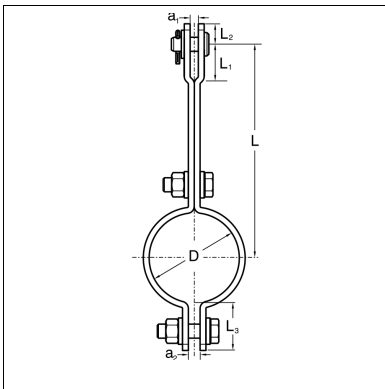
With screws and nuts (class 8.8 or 8) and bolts incl. splint. The pipe clamp is delivered pre-assembled.

Technical Data

Type	perm. load [kN]	recommended Rod Hanger Arrangement LKV
22 - 89	4.0	LKV M10 / LKV M12
115 - 169	5.4	LKV M16
220 - 324	9.3	LKV M16

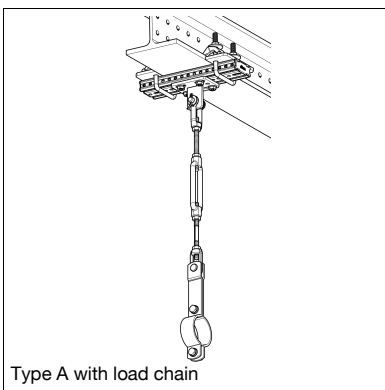


The implementation and construction requirements of the components, their design as well as their verifications and load tests were carried out following the standards VGB R 510 L part I, KTA 3205.3 and DIN EN 13480-3.



Type	D [mm]	a ₁ [mm]	a ₂ [mm]	L [mm]	L ₁ [mm]	L ₂ [mm]	L ₃ [mm]	B x S [mm]
22	22	7	10	90	29	12	33	30 x 5
27	27	7	10	93	29	12	34	30 x 5
34	34	7	10	107	29	12	35	30 x 5
44	44	7	10	113	29	12	36	30 x 5
49	49	7	10	126	29	12	36	30 x 5
61	61	7	10	144	28	18	40	40 x 5
77	77	7	10	183	28	18	41	40 x 5
89	89	7	10	189	28	18	41	40 x 5
115	115	11	16	221	38	23	41	50 x 6
140	140	11	16	234	38	23	41	50 x 6
169	169	11	16	249	38	23	41	50 x 6
220	220	11	16	280	38	23	47	50 x 8
273	273	11	16	311	38	23	56	60 x 8
324	324	11	16	336	38	23	56	60 x 8

Material: Steel, HCP



Type	W [kg]	Quantity [pack]	Part number
22	0.45	25	113103
27	0.48	25	113104
34	0.54	25	113105
44	0.57	25	113106
49	0.58	25	113107
61	0.98	10	113108
77	1.17	10	113109
89	1.24	10	113110
115	1.83	10	113111
140	1.98	10	113112
169	2.16	1	113113
220	3.74	1	113114
273	5.24	1	113115
324	5.84	1	113116