

U Clamp RUC I

Group: A023

Application

Guided Support for the installation of siFramo Beam Sections, Channels 41 and steel girders (H-, I- and Double-U) to support overlying pipelines. This U Clamp can be used as an alternative for Non-Grip (Guide) U Bolt applications. The sliding plate reduces friction between pipe and substructure. The plastic layer and the sliding plate ensure a galvanic isolation between pipe and U Clamp as well as substructure, so it's possible to fasten e.g. stainless steel pipes.

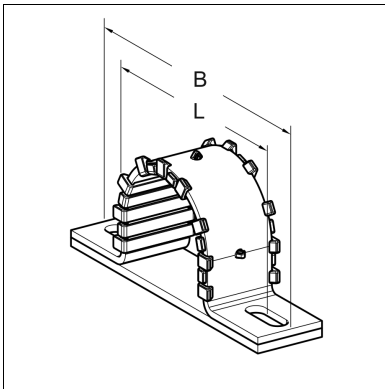
Scope of delivery

U Clamp RUC I with pre-assembled plastic layer. Sliding plate enclosed.

Installation

Depending on the existing substructure the following options are possible:

- On top of siFramo Beam Sections with Self Forming Screws FLS
- On top of Channels 41 with bolts M10 and suitable Channel Nut
- On top of steel girders (H-, I- and Double-U) with bolts M10



Technical Data

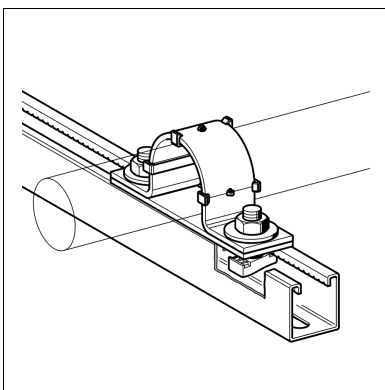
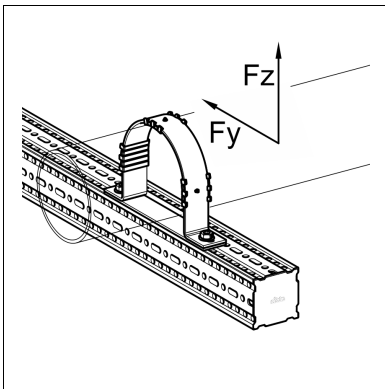
Type	perm. load Fy [kN]	perm. load Fz [kN]
27 - 121	0.6	2.3
152 - 336	0.2	0.8

The perm. loads have been determined by load tests following DIN EN 13480-3 annex J.

For the installation on top of steel girders and Channels 41 the load capacities of these substructures (and connection parts) have to be verified.

Material:

Clamp body: Steel, HCP
 Layer and sliding plate: Thermoplastic resins
 Temperature range: -20°C to +90°C (at layer and sliding plate)



Type	NB	Material [mm]	B [mm]	L [mm]	Dimensions of elongated hole [mm]	W [kg]	Quantity [pack]	Part number
27	15	40 x 4	134	91	11 x 20	0.22	25	113393
33	20	40 x 4	140	97	11 x 20	0.23	25	113394
40	25	40 x 4	147	104	11 x 20	0.26	25	113395
48	32	40 x 4	155	112	11 x 20	0.29	25	113396
55	40	40 x 4	161	118	11 x 20	0.30	25	113397
67	50	40 x 4	173	130	11 x 20	0.35	25	113398
83	65	40 x 4	189	146	11 x 20	0.42	25	113399
95	80	40 x 4	202	159	11 x 20	0.46	25	113400
121	100	40 x 4	227	184	11 x 20	0.55	25	113401
152	125	40 x 4	259	216	11 x 20	0.65	10	113402
181	150	40 x 4	287	244	11 x 20	0.77	10	113403
232	200	40 x 4	338	295	11 x 20	0.93	10	113404
286	250	40 x 4	392	349	11 x 20	1.14	5	113405
336	300	40 x 4	443	400	11 x 20	1.35	1	113406