

## Tie Rod STR HCP

Group: 1326

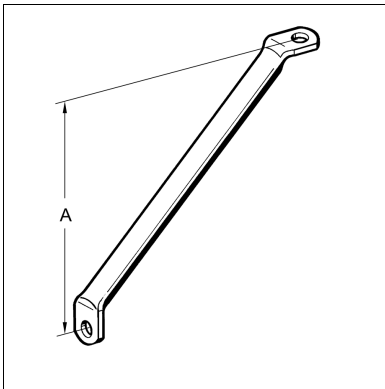
### Application

Tie Rods cater for the lateral forces applied to Support Brackets. Such lateral forces always occur when pipes are laid, in particular when sliding elements are fixed onto Support Brackets, and **must** be safely absorbed by means of Tie Rods fixed to the brackets.

Otherwise the Support Brackets run the acute risk of being pulled out of their anchoring components by the forces exerted.

### Installation

Fix the Tie Rod to the bore especially made for such purpose at the overhanging leg of the Support Bracket using the recommended hexagon bolt (see table).



### Technical Data

Type	Recommended bolt for attachment to Support Bracket	Permissible load (tension and pressure)	Installation dimension A
300/200	M10 x 80	7.0 kN	210
550/350	M10 x 80	7.0 kN	365
725/400	M10 x 100	12.0 kN	400
880/550	M10 x 100	12.0 kN	550

Material: Cold-worked tube DIN 2448, HCP

Type	Pipe	Bore [mm]	W [kg]	Quantity [pack]	Part number
300/200	R 1/2"	11	0.26	10	125967
550/350	R 1/2"	11	0.50	10	125994
725/400	R 3/4"	11	0.90	10	151908
880/550	R 3/4"	11	1.17	10	151892

