

Roof Hook DH 2D vario

Group: E401

Application

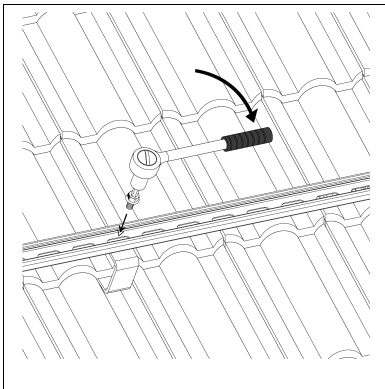
Height-adjustable Roof Hook for roofs with variable rafter-distance. The height adjustment allows for an exact adjustment of uneven roof constructions. The large setting range allows the use of the Roof Hook even for roof tiles with deeper profile.

To provide a simple direct fixing of Channel MS 41 to the roof by means of one Self Forming Screw FLS or of Channel MS ALU 27/42 with one Beam Clamp P0 ALU and one Flange Screw SCR FLA M10 x 25 HCP.

Installation

1. Remove roof tiles.
2. Position the hook where the trough of the tile was located. Position the base plate of the Roof Hook in full contact with the rafter. If needed auxiliary battens should be used for roof fixing.
3. Fix the Roof Hook with two Torx Flat Head Coach Screws FLAH 10 x 100.
4. Clear removed tiles from the respective area and put them back to their original position.
5. Fix the Channel MS 41 onto the Roof Hook through the slotted rear face of the profile with one Self Forming Screw FLS. Alternative: Fasten Beam Clamp P0 ALU with one Flange Screw SCR FLA M10 x 25 HCP, apply Channel MS ALU 27/42, click it on and screw Flange Screw tight with max. 20 Nm.

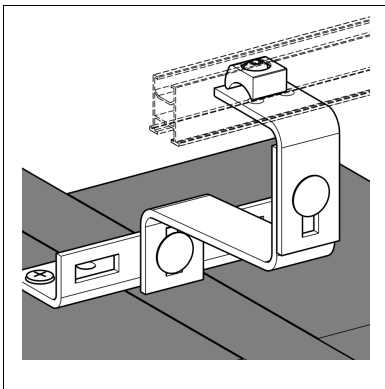
In order to preserve the balanced loading of the roof we recommend this application to all rafters.



Technical Data

Type	Suitable for Sikla Channel	a [mm]	b [mm]	c [mm]	d [mm]	e [mm]	f [mm]
DH 2D vario	MS 41 HCP MS 41/31 ALU MS 27/42 ALU	75	73-98	130-164	145-154	115	56

Base Plate: 140 x 56 x 5 mm
 Material Hook: 40 x 5 mm
 Material: Steel,
 Surface: HCP



Type	W [kg]	Quantity [pack]	Part number
DH 2D vario	0.98	1	113261

