

### U-Holder SB 41 HCP

Group: 1831

#### Application

Clamping element for bi-lateral attachment of crossbars to steel beams, independent from the channel's opening.

#### Installation

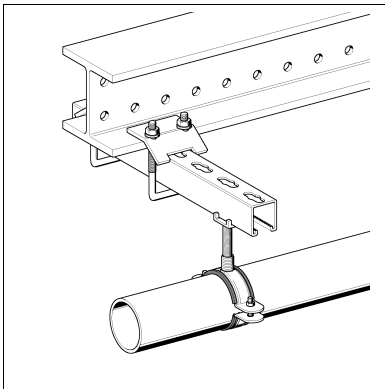
To be used in pairs.

Length calculation = Beam/Girder flange thickness + min. 2 x 50 mm overhang

#### Technical Data

Type	Max. perm. load tension	Tightening torque
M10	5,0 kN per U-Holder	30 Nm

Material: Steel, HCP



Type	For channel height [mm]	Max. flange thickness [mm]	Thread	W [kg]	Quantity [pack]	Part number
41 - M10	20 - 62	16	M10	0.41	20	<b>113879</b>