

### Mounting Plate GPL F 100

Group: A838

#### Application

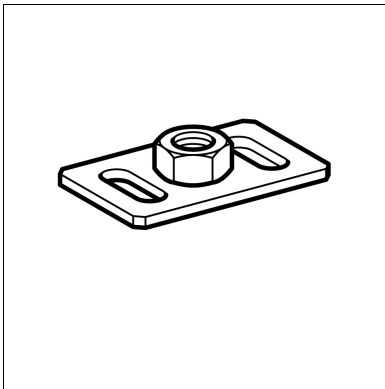
Interface component to connect threaded bar and threaded tube to Beam Section F100.

#### Installation

Requires 2 x Self Forming Screw FLS per Mounting Plate GPL.

#### Technical Data

Type	Tension [kN]	Lateral force [kN]	Perm. bending moment [Nm]
GPL F 80-1/2"	8,0	13,0	53
GPL F 80-M10	8,0	13,0	15
GPL F 80-M12	8,0	13,0	26
GPL F 80-M16	8,0	13,0	62
GPL F 100-1/2"	8,0	13,0	53
GPL F 100-M10	8,0	13,0	15
GPL F 100-M12	8,0	13,0	26
GPL F 100-M16	8,0	13,0	62



Dimensions of Base plate: 100 x 50 x 4 mm  
Material: Steel, HCP

Type	W [kg]	Quantity [pack]	Part number
GPL F 100-1/2"	0.2	50	<b>113089</b>
GPL F 100-M10	0.2	50	<b>113338</b>
GPL F 100-M12	0.2	50	<b>113646</b>
GPL F 100-M16	0.2	50	<b>113090</b>

