

### End Support STA F 80/30 E

Group: A422

#### Application

Plug-in component designed to create an endplate at the open end of a Beam Section TP F80/30 a Cantilever bracket AK F80/30.

#### Installation

The Beam Section TP F 80/30 connected to the End Support STA F 80/30 E has to be screwed with 2 Self Forming Screws FLS F.

#### Technical Data

Type	Dimensions of Base plate [mm]	Slots in Base plate for	H [mm]
STA F 80/30-80-E	80 x 80 x 8	M10	178

Material: Steel, HCP

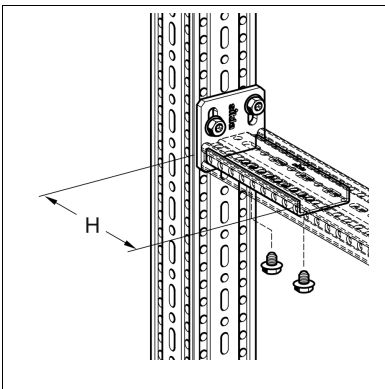
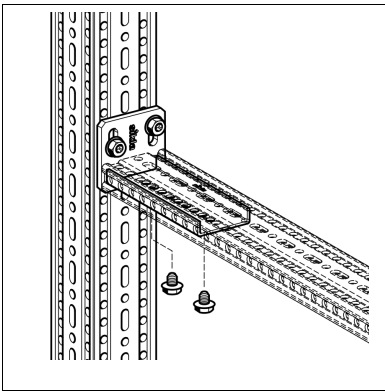
#### Approvals / Conformity

CE mark (Declaration of performance see [www.sikla.com/service/downloads](http://www.sikla.com/service/downloads))  
ETA-24/0471



epd

NEPD-4539-3797-EN



Type	W [kg]	Quantity [pack]	Part number
STA F 80/30-80-E	0.8	1	<b>113066</b>