

### End Cap ADK F 100

Group: A430

#### Application

Plastic end cap to close cut ends of Beam Section F100 to meet both visual and health & safety requirements. Standard Cantilever- and Beam Brackets (AK F100 and TKO F100) already include this end cap.

#### Technical Data

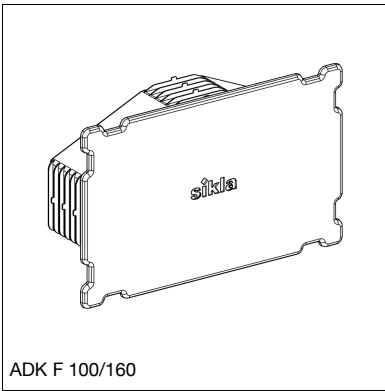
Material: PP, colour yellow, bedingt witterungsbeständig

#### Approvals / Conformity



**epd**

NEPD-4539-3797-EN



ADK F 100/160

| Type          | W<br>[kg] | Quantity<br>[pack] | Part<br>number |
|---------------|-----------|--------------------|----------------|
| ADK F 100     | 0.05      | 25                 | <b>113086</b>  |
| ADK F 100/160 | 0.08      | 25                 | <b>113102</b>  |

