

Beam Section Holder TPH F 100

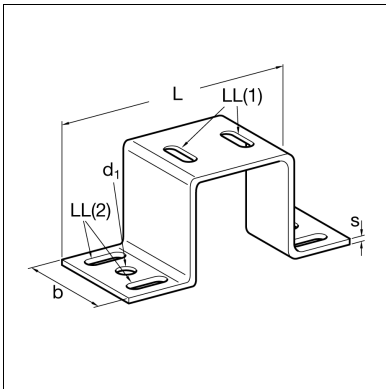
Group: A825

Application

Interface element to connect 90° intersecting Beam Sections F100. Alternatively the Beam Section Holder TPH may be used to connect only one beam section to an even surface with suitable wall anchors or with cast-in channel accessories.

Installation

Connecting one Beam Section F100 90° to another one by using 6 x Self Forming Screw FLS applied through all elongated holes. Connecting to any other surface or member by using 2 x Self Forming Screws FLS through the two elongated holes on the top of the Beam Section Holder TPH F100 plus 2 appropriate fixing elements up to M12 through the two holes “d1”.



Technical Data

| Type | L x b x s [mm] | Ø d, [mm] | Elongated hole LL1 d x a [mm] | Elongated hole LL2 d x a [mm] |
|----------------|-------------------|--------------|----------------------------------|----------------------------------|
| TPH F 100 C | 219 x 100 x 4 | 14 | 11 x 20 | 11 x 20 |
| TPH F 100/80 C | 199 x 100 x 4 | 14 | 11 x 20 | 11 x 20 |

| Type | F _x [kN] | F _y [kN] | F _z [kN] | M _y [kNm] | M _z [kNm] |
|----------------|---------------------|---------------------|---------------------|----------------------|----------------------|
| TPH F 100 C | 6.2 | 12.7 | 12.3 | 0.6 | 0.5 |
| TPH F 100/80 C | 6.2 | 12.7 | 12.3 | 0.6 | 0.5 |

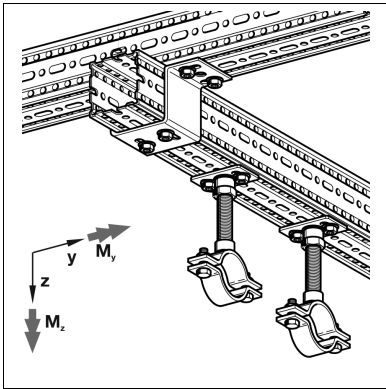
The specified load values are permissible loads and contain the partial safety factors $\gamma_{M2} = 1,25$ (DIN EN 1993-1-8:2010-12, chart 2.1) and $\gamma_G = 1,35$ (DIN EN 1990:2010-12, chart A1.2(B)) for permanent actions.

Material: Steel, HCP

Approvals / Conformity



NEPD-4539-3797-EN



| Type | W [kg] | Quantity [pack] | Part number |
|----------------|-----------|--------------------|----------------|
| TPH F 100 C | 1.2 | 10 | 113084 |
| TPH F 100/80 C | 1.0 | 10 | 113085 |

