

Bracing Arm SKO F 100

Group: A823

Application

Bracing arm for reinforcement of frames made from Beam Section TP F100 and/or Cantilever Bracket AK F100.

Installation

- With 2x4 Self Forming Screw FLS when used inside a corner of two F100 size hollow-box sections.
- With 4x Self Forming Screw FLS and 2x suitable wall anchors/fixings when used to connect between one F 100 size hollow-box section and the building structure.

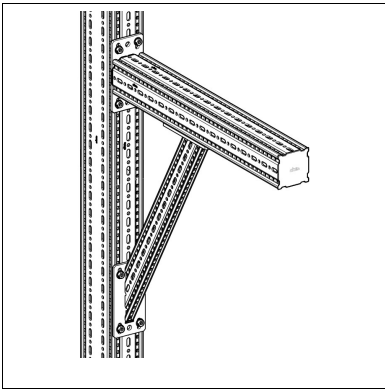
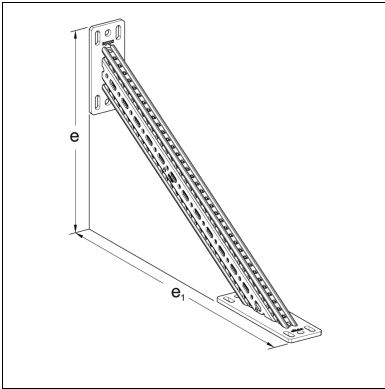
Technical Data

Type	Dimensions of Base plate [mm]	e [mm]	e ₁ [mm]
SKO F 100	210 x 100 x 8	450	710

Material: Steel, HCP

Approvals / Conformity

CE mark (Declaration of performance see www.sikla.com/service/downloads)
ETA-24/0471



Type	W [kg]	Quantity [pack]	Part number
SKO F 100	5.5	1	113096

