

### Beam Bracket TKO F 100

Group: A823

#### Application

Galvanised hollow-box-section with welded end-plate to serve as cantilever arm. May be used as a crossbar when combined with End Support STA/End Support WBD and 4 x Self Forming Screw FLS.

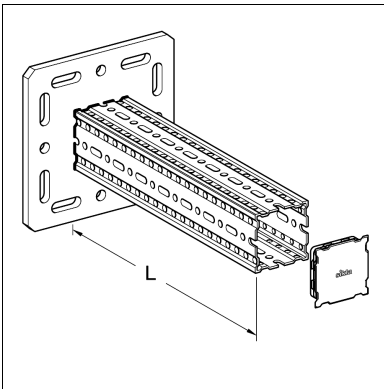
#### Scope of delivery

With pre-assembled End Cap ADK F100

#### Installation

Depending on the situation, different options are recommended:

- a) Directly to building structure: 4x suitable wall anchors.
- b) To traditional steel beams between 80 - 120 mm flange dimensions: with Assembly Set 5P M12 S.
- c) To traditional steel beams > 120 flange dimension: with on-demand Adaptor Plate (tbc)
- d) To Sikla Simotec Steel Beams 100/120: with Bracket Plates FV 100/120 when positive mechanical connection required.



#### Technical Data

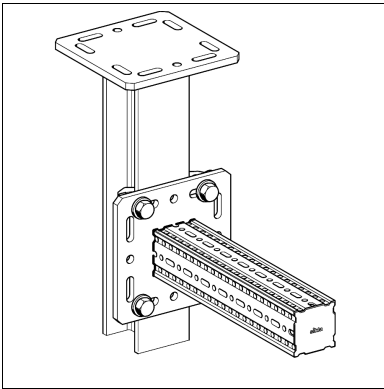
Type	L [mm]	Dimensions of base plate [mm]	Slots in base plate for
TKO F 100-400	400	220 x 220 x 12	M12
TKO F 100-800	800	220 x 220 x 12	M12
TKO F 100-1200	1200	220 x 220 x 12	M12

Configuration: Base plate welded to Beam Section TP F 100

Material:

Plate: Steel, HCP

Beam Section: Steel, HCP



#### Approvals / Conformity

CE mark (Declaration of performance see [www.sikla.com/service/downloads](http://www.sikla.com/service/downloads))  
ETA-24/0471



epd

NEPD-4539-3797-EN

Type	W [kg]	Quantity [pack]	Part number
TKO F 100-400	8.6	1	113071
TKO F 100-800	12.8	1	113072
TKO F 100-1200	17.5	1	113421