

31 - 72 mm

Stabil D-A

Group: 1239

Application

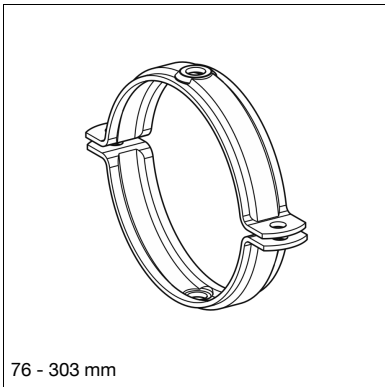
For installation of pipes required for all M&E services in industrial, residential and public buildings. In combination with Triple Thread Connector NT 3G the suspension of pipe clamps up to dia. 303 mm is possible.

Scope of delivery

Two parts pipe clamp without clamping bolts and nuts. For suitable clamping bolts, see chapter "Fixings and Fastenings".

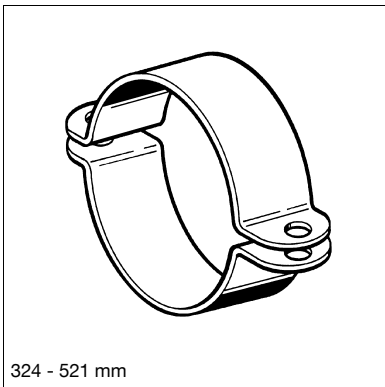
Technical Data

Size [mm]	Working load (tension)
31 - 72	4,0 kN
76 - 129	5,0 kN
133 - 303	10,0 kN
316 - 521	12,5 kN



76 - 303 mm

Material: Steel, electro-galvanised



324 - 521 mm

Size range [mm]	NB	Material W x th [mm]	Recommended clamping bolts	B [mm]	L [mm]	W [kg]	Quantity [pack]	Part number
31 - 35	1"	30 x 2.5	M8 x 20	70.5	52.5	0.09	50	113367
40 - 45	1 1/4"	30 x 2.5	M8 x 20	82	64	0.10	50	113368
48 - 53	1 1/2"	30 x 2.5	M8 x 20	90.5	72.5	0.14	50	113369
54 - 59		30 x 2.5	M8 x 20	101	83	0.16	50	113370
60 - 65	2"	30 x 2.5	M8 x 20	108	90	0.18	50	113371
67 - 72		30 x 2.5	M8 x 20	114	96	0.19	50	113372
76 - 81	2 1/2"	30 x 3.0	M10 x 30	137	115	0.22	25	113373
82 - 87		30 x 3.0	M10 x 30	143	121	0.23	25	113374
88 - 93	3"	30 x 3.0	M10 x 30	149	127	0.24	25	113375
102 - 108		30 x 3.0	M10 x 30	163	141	0.28	25	113376
110 - 116	4"	30 x 3.0	M10 x 30	171	149	0.30	25	113377
124 - 129		30 x 3.0	M10 x 30	184	162	0.32	25	113378
133 - 140		40 x 4.0	M12 x 40	210	181	0.65	10	113379
140 - 148	5"	40 x 4.0	M12 x 40	218	189	0.66	10	113380
149 - 155		40 x 4.0	M12 x 40	225	196	0.72	10	113381
159 - 165		40 x 4.0	M12 x 40	235	206	0.72	10	113382
167 - 173	6"	40 x 4.0	M12 x 40	243	214	0.76	10	113383
176 - 184		40 x 4.0	M12 x 45	255	226	0.83	10	113384
188 - 194		40 x 4.0	M12 x 45	265	236	0.84	10	113385
199 - 205		40 x 4.0	M12 x 45	276	247	0.89	10	113386
207 - 216		40 x 4.0	M12 x 45	287	258	0.93	10	113387
219 - 225	8"	40 x 4.0	M12 x 45	296	267	0.96	10	113388
244 - 250		40 x 4.0	M12 x 45	321	292	1.02	10	113389
267 - 273	10"	40 x 4.0	M12 x 45	344	315	1.16	10	113390
278 - 284		40 x 4.0	M12 x 45	355	326	1.20	10	113391
297 - 303		40 x 4.0	M12 x 45	374	345	1.27	10	113392
316 - 324	324	50 x 5.0	M16 x 60	440	390	2.10	1	103701
348 - 356	356	50 x 5.0	M16 x 60	471	421	2.53	1	103729
360 - 368	368	50 x 5.0	M16 x 60	482	432	2.54	1	103747
399 - 407	407	50 x 5.0	M16 x 60	520	470	2.88	1	103765
411 - 419	419	70 x 6.0	M16 x 60	532	482	4.84	1	103783
500 - 508	508	70 x 6.0	M16 x 60	619	569	5.78	1	103808
513 - 521	521	70 x 6.0	M16 x 60	631	581	5.67	1	103826

