

### Safety Nut with flange NT SEC HCP

Group: 1876

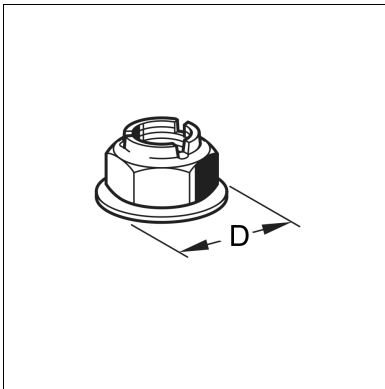
#### Application

The Safety Nut is equipped with a self-locking head made of steel (3 parts) being arranged in a conical shape. This offers the highest possible safety against unscrewing. The Safety Nut with flange offers the following advantages:

- ◆ Clamping effect directly at the thread – resilient, elastic
- ◆ applicable for all HCP and electrogalvanised screws and threaded rods
- ◆ improved thread moving due to the separated securing segments
- ◆ reusability after disassembling
- ◆ high temperature resistance

#### Technical Data

Material: Steel, Quality class 10, HCP



Type	D [mm]	W [kg]	Quantity [pack]	Part number
M8	17	0.01	50	<b>113062</b>
M10	21	0.01	50	<b>113063</b>